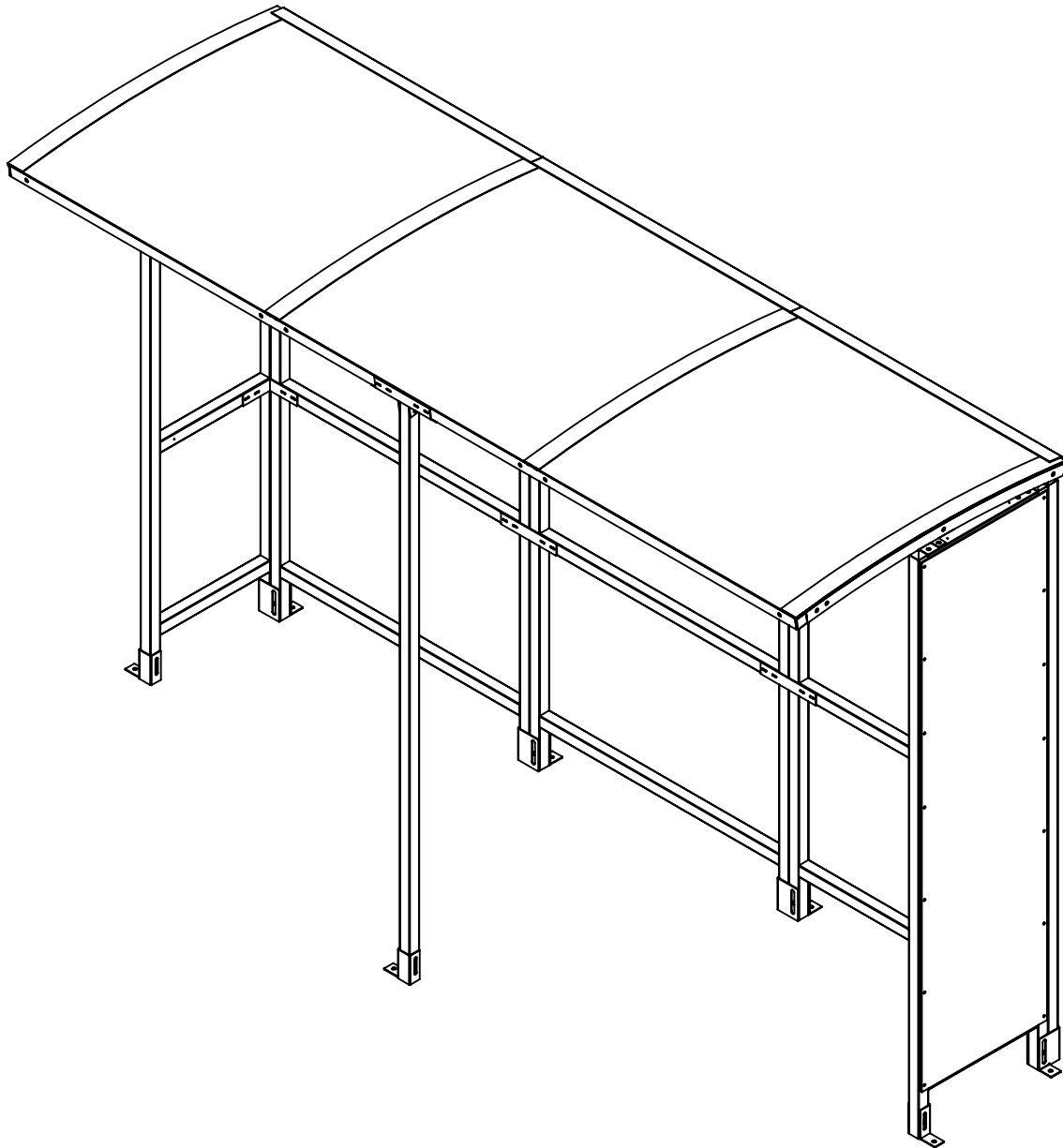


Assembly Instructions



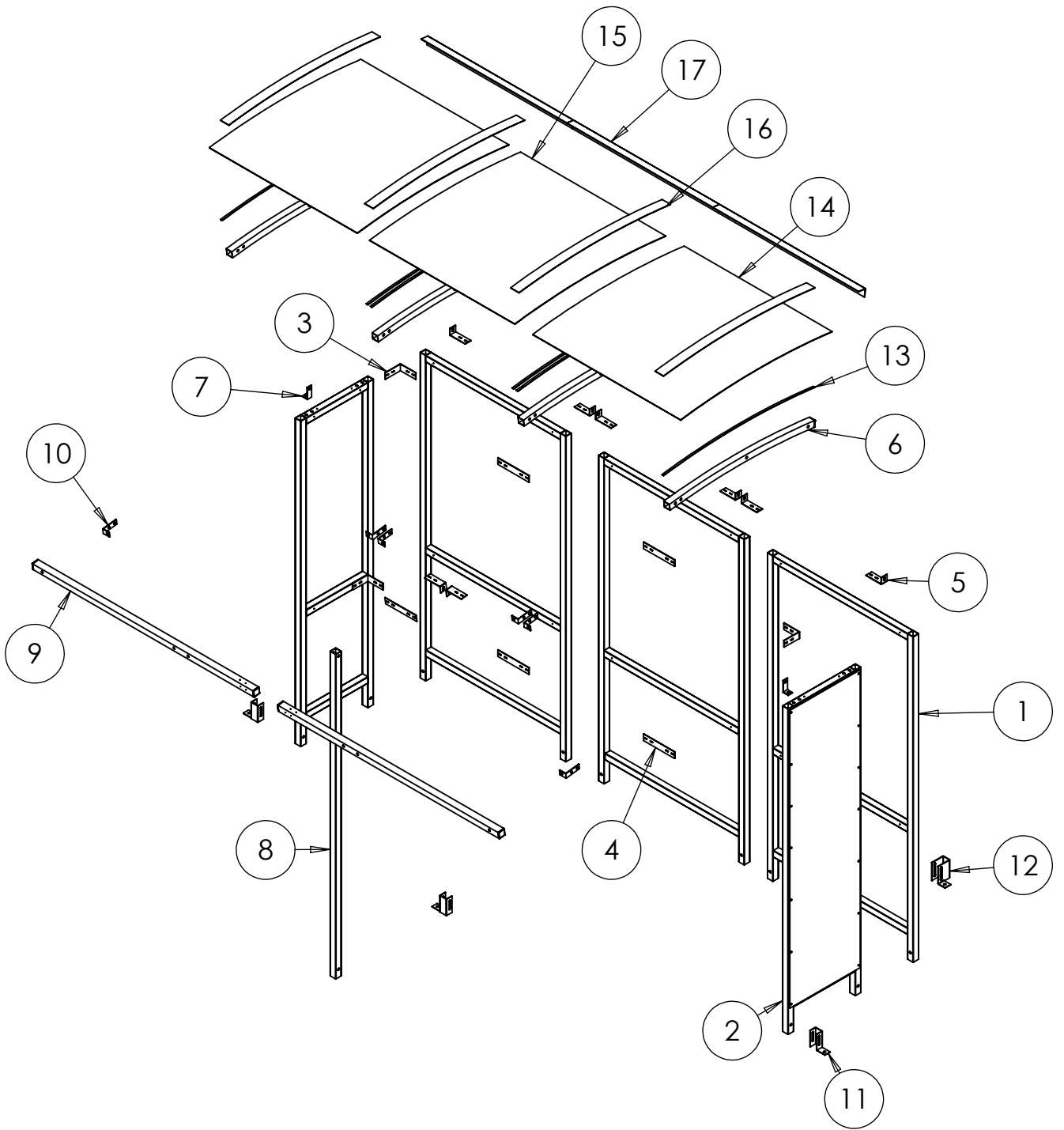
No Butts Bin Co.
Better Ash & Trash Solutions
Est. 1991

Email : Sales@nobutts.com
Web : www.nobutts.com
Tel : 1-888-662-8887

Shelter type: SR1584-F

SR1584-F-01-210219-USA

EXPLODED VIEW



Tools required:



Drill/Screwdriver



Spanner



Mallet




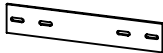





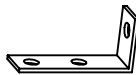
















Torx bit



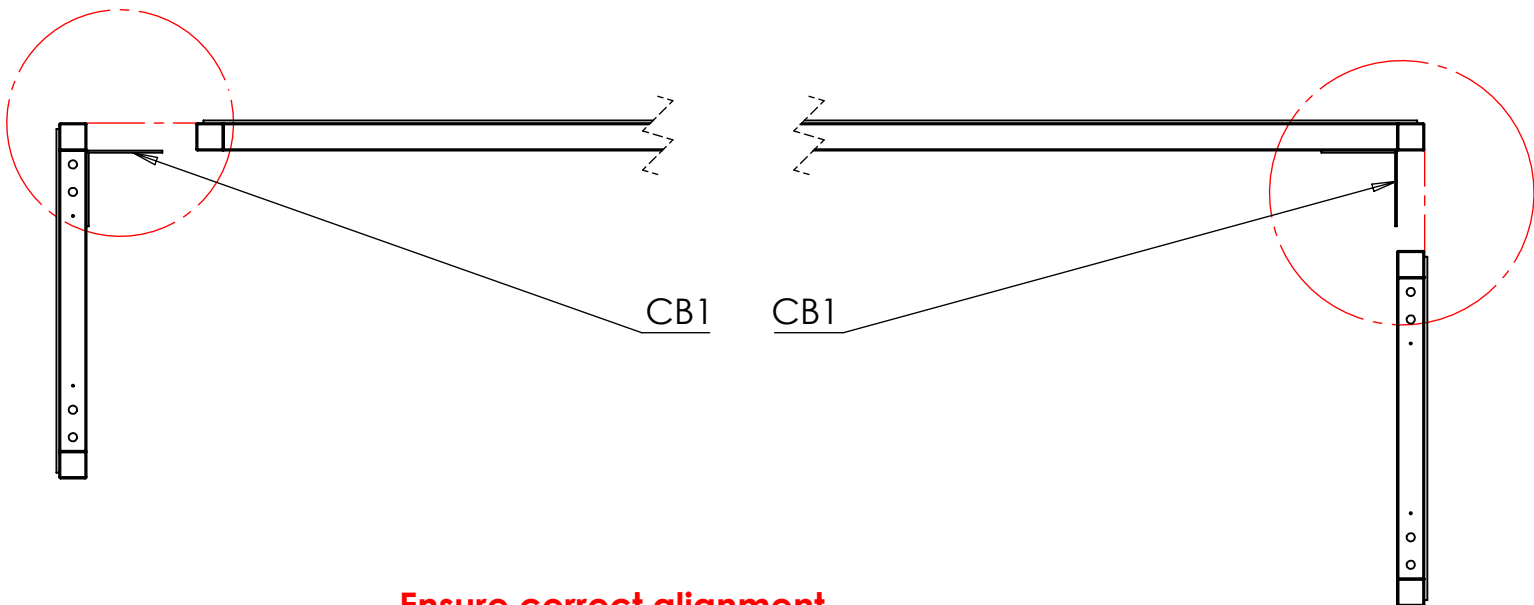
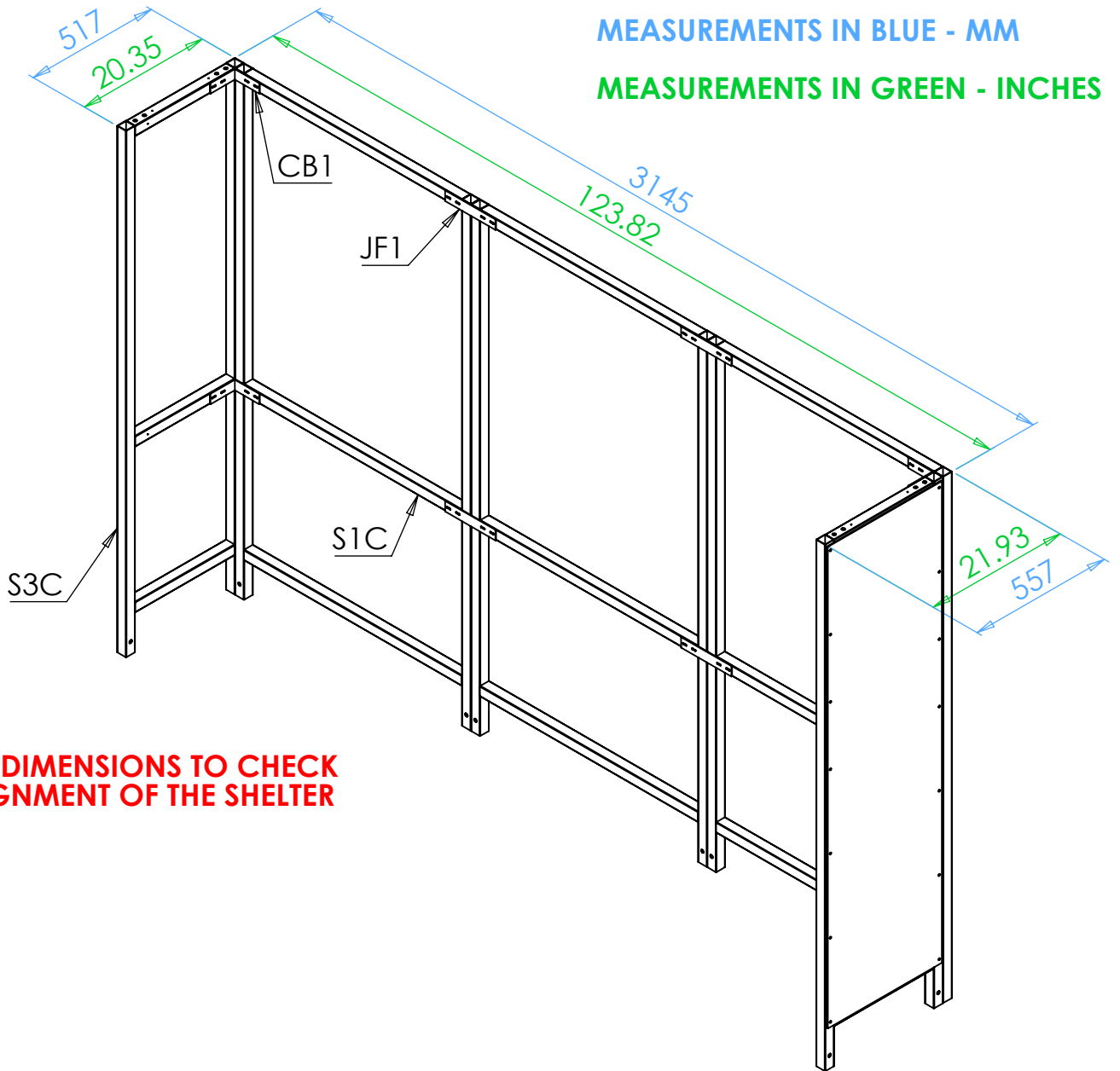
Hack saw

PARTS LIST

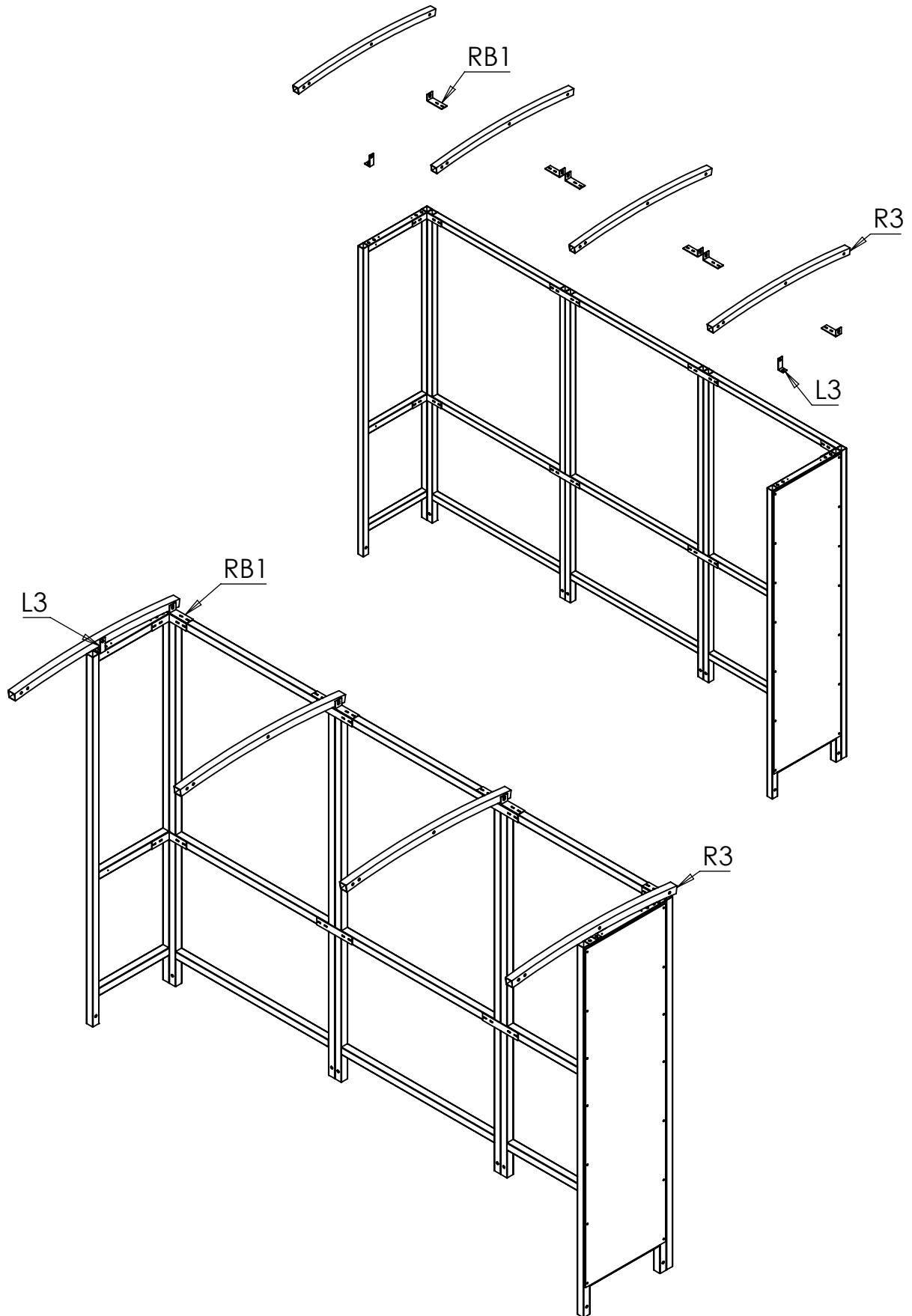
ITEM NO.	PART NO.	DESCRIPTION	DIMENSION (MM)	DIMENSION (INCH)	IMAGE	QTY.
1	S1C	Frame	2000x1035	78.74x40.55		3
2	S3C	Frame	2000x517	78.74x20.35		2
3	CB1	Bracket	110x110x40	4.33x4.33x1.57		4
4	JF1	Bracket	220x40	8.66x1.57		5
5	RB1	Bracket	110x42x40	4.33x1.81x1.57		8
6	R3	Rafter	1035x40x40	40.75x1.57x1.57		4
7	L3	Bracket	73x38	2.87x1.50		2
8	P4	Post	1995x40x40	78.54x1.57x1.57		1
9	B3	Beam	1562x40x40	61.50x1.57x1.57		2
10	L1	Bracket	95x45	3.74x1.77		6
11	FT1	Bracket	109x100x40	4.29x3.93x1.57		3
12	FT3	Bracket	109x100x80	4.29x3.93x3.15		4
13	SS	Sealing Strip	Trim To 1035	Trim To 40.75		2 ROLLS
14	ACE3	Roof Panel	1070x1050	42.13x41.34		2
15	ACC3	Roof Panel	1070x1030	42.13x40.55		1
16	RC3	Roof Strip	1070	42.13		4
17	A2	Roof Edge	1035	40.75		3
18	EC40	End Cap	40x40	1.57x1.57		14

Fittings	Bolt set M10	Nut	Washer	Black Cap	T25	AB1210
	M10 x 60mm				25mm Tech screw	M10 X 100mm Concrete Bolt
Pack C	30	30	60	60	102	8
Required	30	30	60	60	72	7
Image						

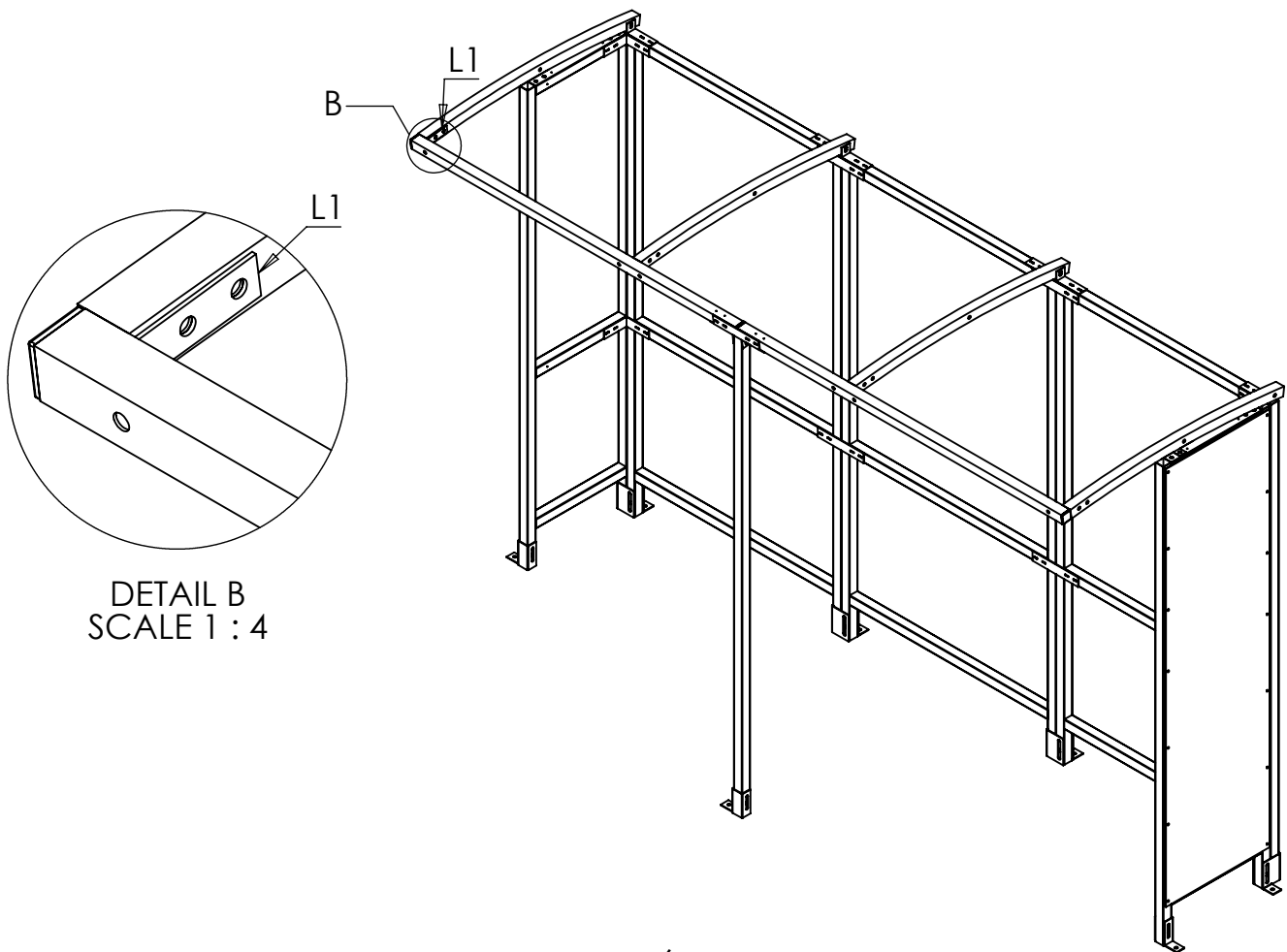
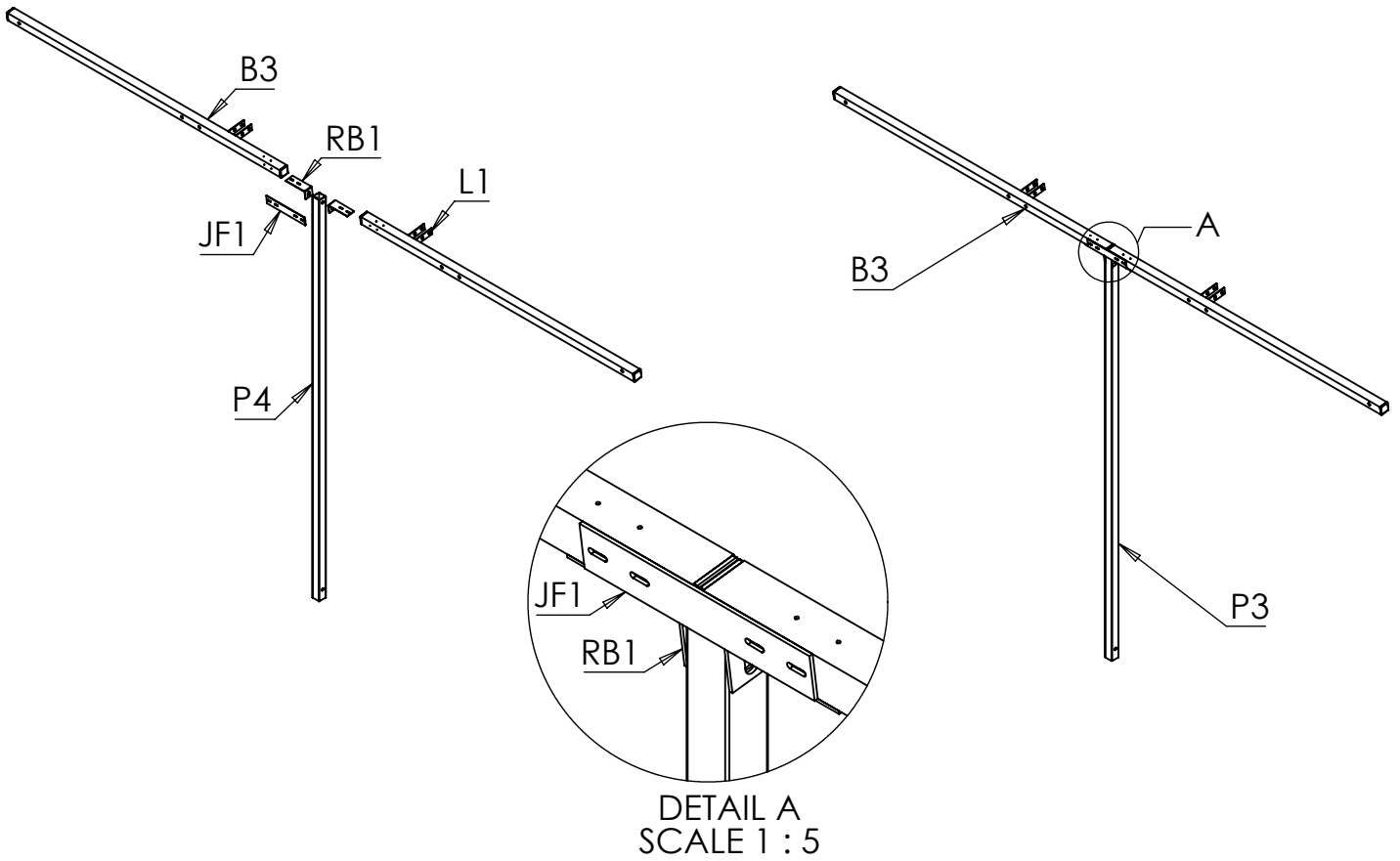
Step 1 Assemble **S1C** and **S3C** frames to make up the main structure using **CB1** brackets in the corners and **JF1** brackets on the straight joints.



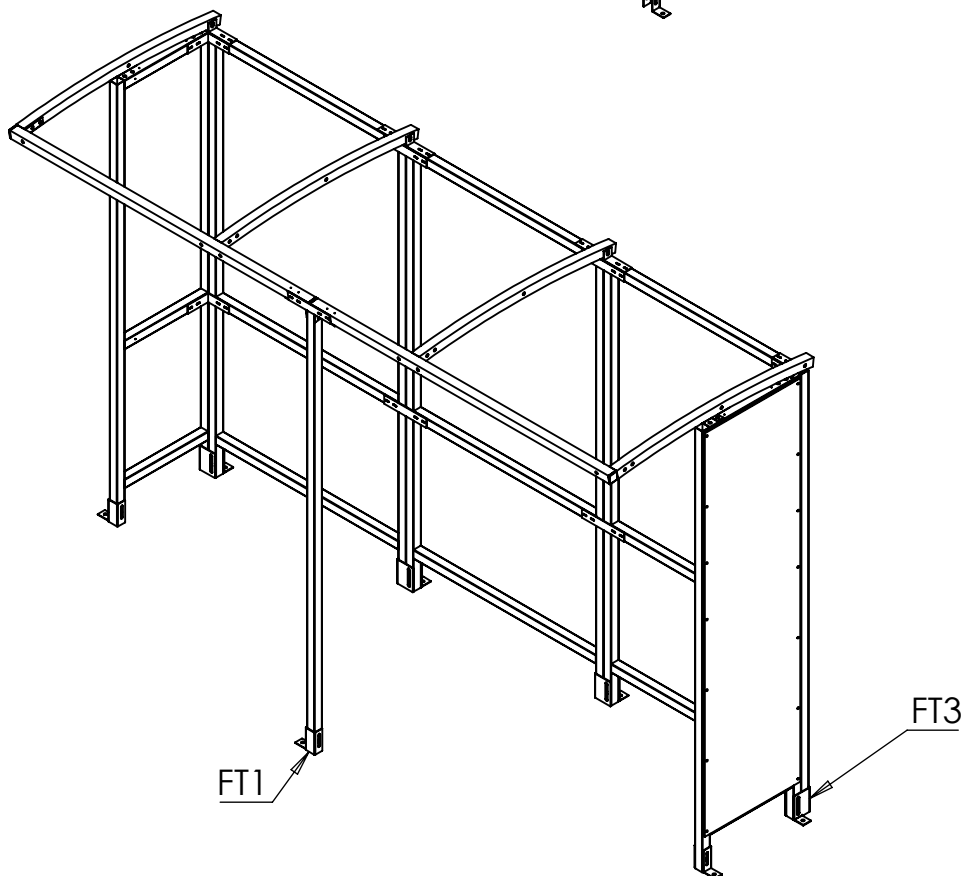
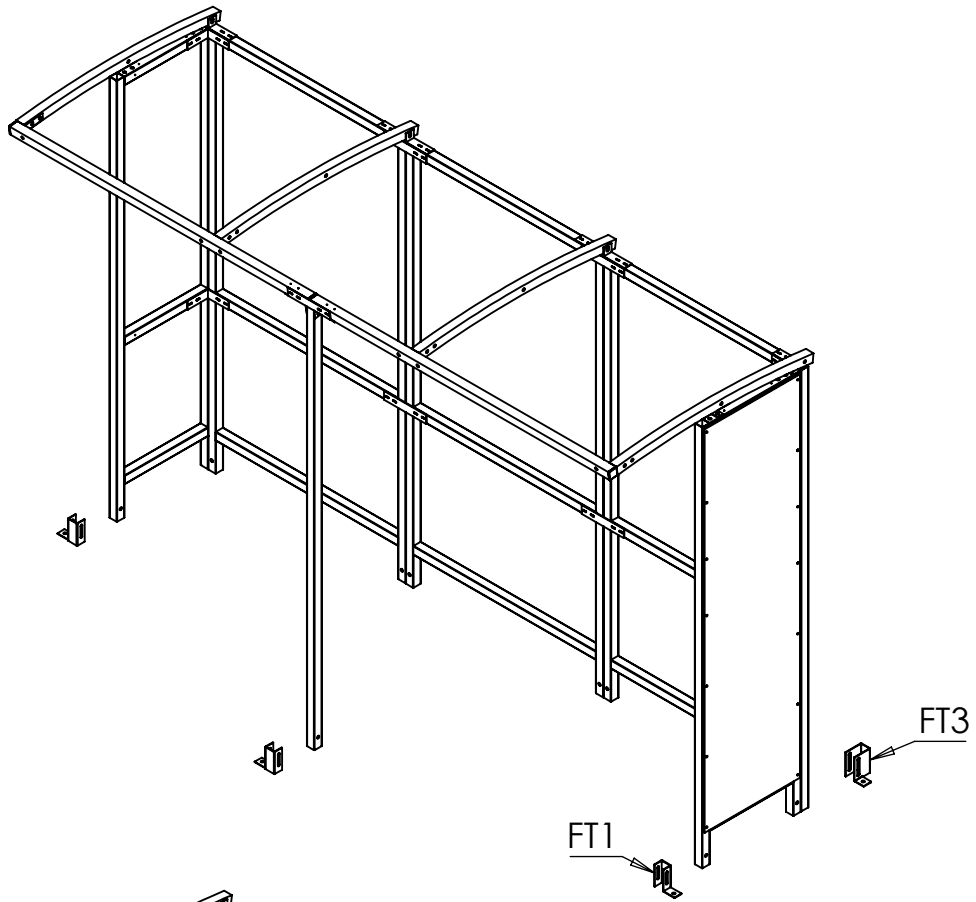
Step 2 Attach **R3** rafters using **RB1** brackets on the back of the shelter and **L3** brackets in the middle.



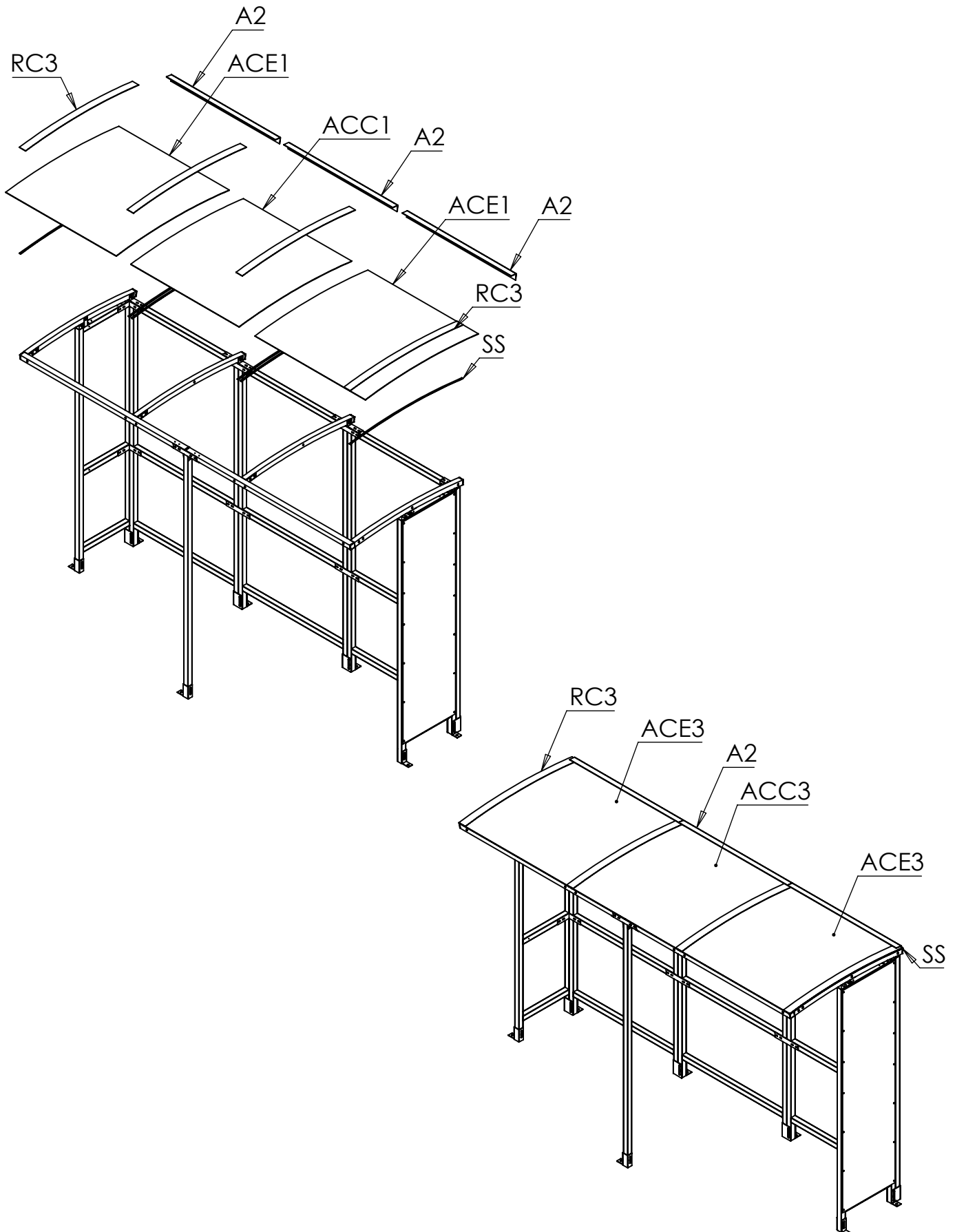
Step 3 Assemble the **B3**'s and **P4** using the JF1 and RB1 brackets as shown below. Attach front beams (**B3**) and centre post (**P4**) to the rafters using the **L1** brackets.



Step 4 Attach the **FT1** and **FT3** foot brackets, Move the Shelter into its final position and make sure its square. Then use concrete anchor bolts to secure it to the the ground.



Step 5 Apply the sealing strips (**SS**) to the top of the R3 rafters as shown. Place **ACE3** and the **ACC3** roof panels with a small gap on sealing strips use **RC3** strips and screws supplied to secure panels in place. Finally screw **A2** angles to the rear of the shelter.



NOTES:

NOTES:

THANK YOU FOR PURCHASING THIS PRODUCT

MAINTENANCE:

To ensure your products give you many years of use we recommend that you:

- Clean panels regularly with soapy water
- Ensure all fittings are tight (for example after a big storm)
- Touch up any exposed metal should it get scratched

CONTACT DETAILS:

Email : Sales@nobutts.com

Web : www.nobutts.com

Tel : 1-888-662-8887

No Butts Bin Company, Inc. 16 Birch Lane, Madison, CT 06443

All Parts and Fixing checked by:	
Print Name:	Signature: