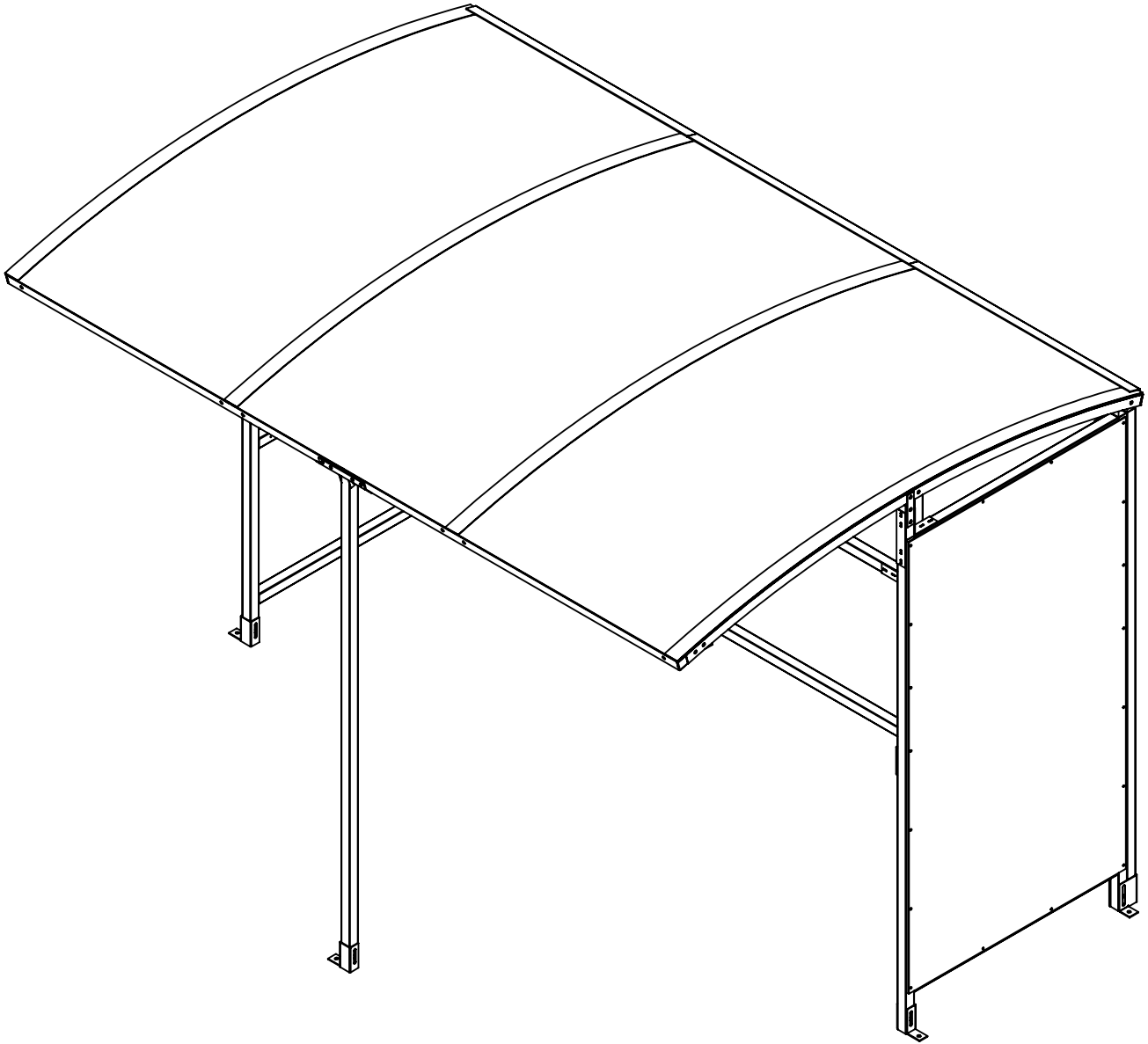


# Assembly Instructions



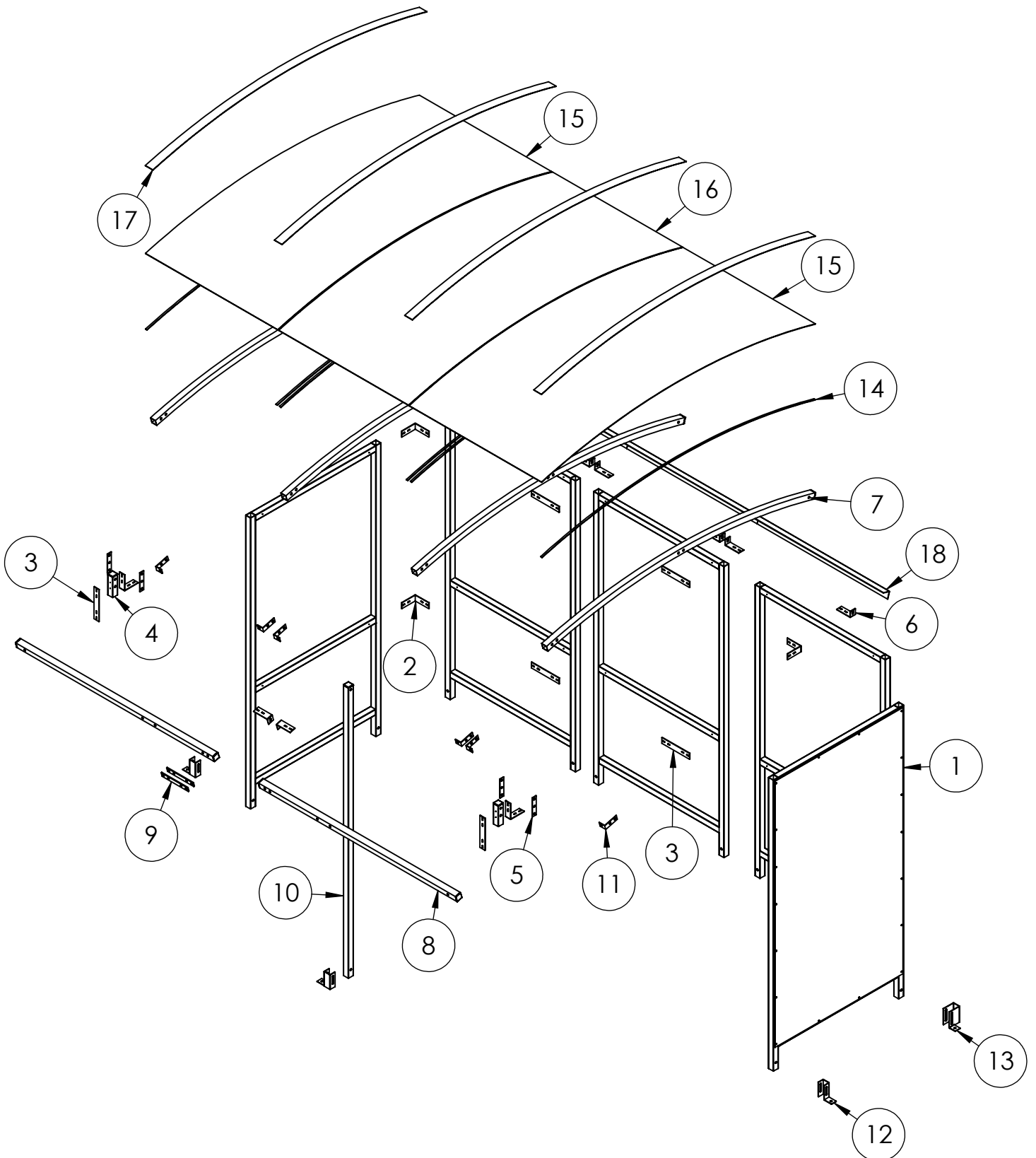
**No Butts Bin Co.**  
*Better Ash & Trash Solutions*  
Est. 1991

Email : [Sales@nobutts.com](mailto:Sales@nobutts.com)  
Web : [www.nobutts.com](http://www.nobutts.com)  
Tel : 1-888-662-8887

**Shelter type: SR1587-F**

**SR1587-F-05-210219-USA**

# EXPLODED VIEW



## Tools required:



Drill/Screwdriver



Mallet



Hack saw

## Tools included:



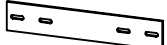




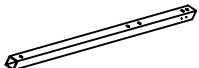
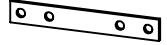

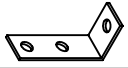

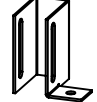








Spanner



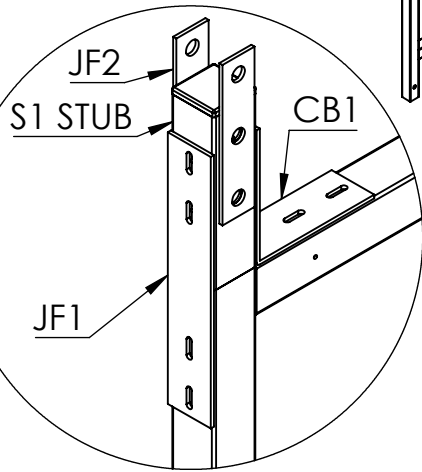
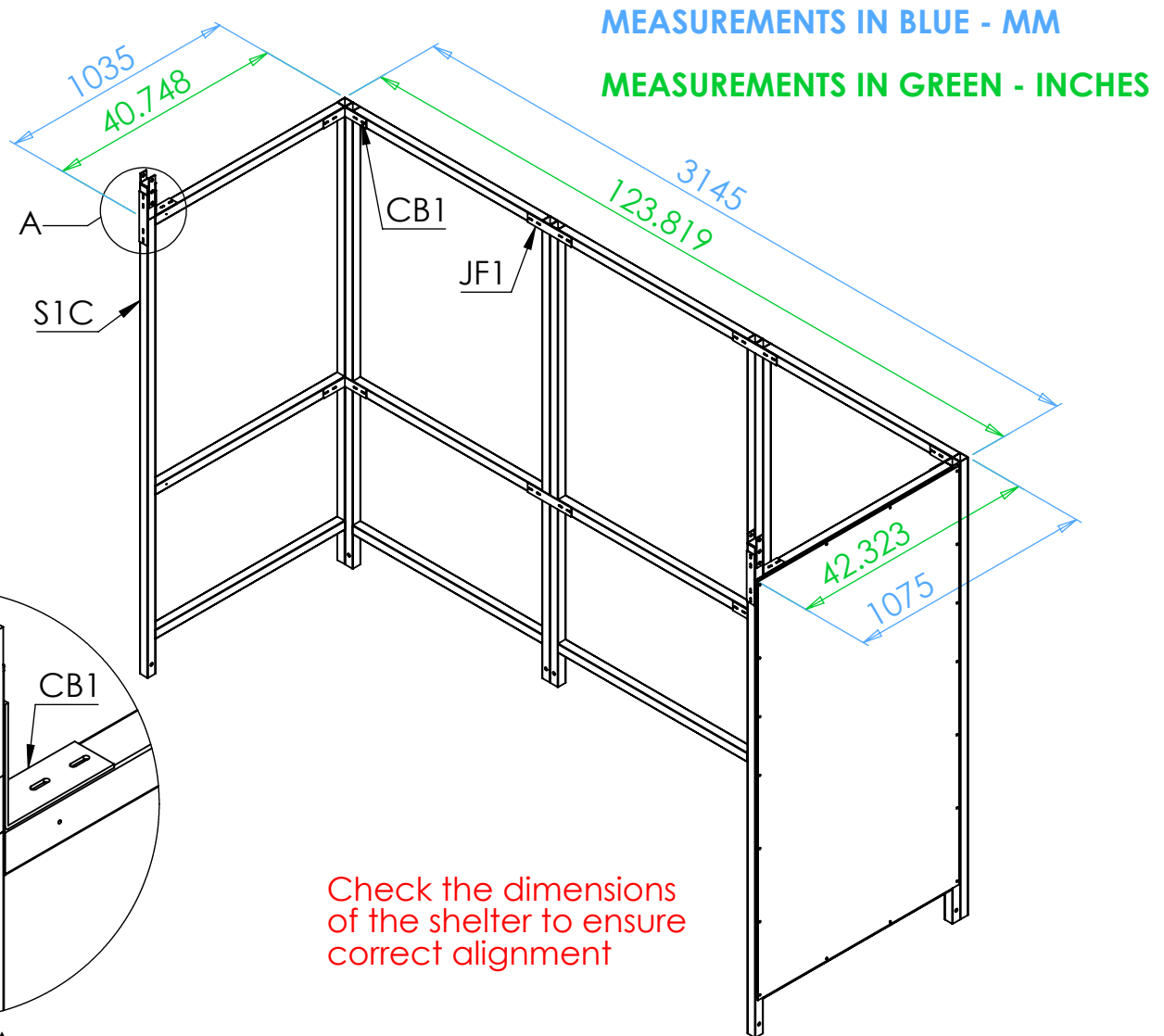
Torx bit

# PARTS LIST

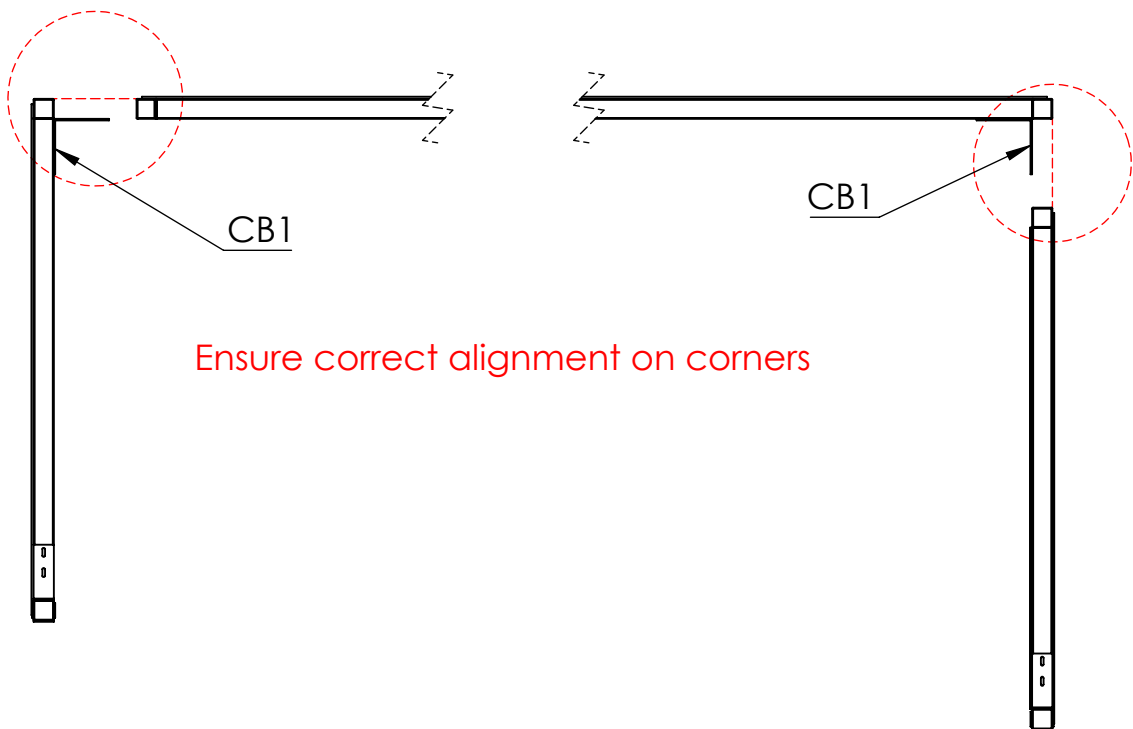
ITEM NO.	PART NO.	DESCRIPTION	DIMENSION (MM)	DIMENSION (INCHES)	IMAGE	QTY.
1	S1C	FRAME	2000 x 1035	78.74 x 40.55		5
2	CB1	CORNER BRACKET	110 x 110	4.33 x 4.33		6
3	JF1	PLATE/BRACKET	130 x 30 x 3	8.66 x 1.57		6
4	S1 STUB	STUB	140 x 40 x 40	5.51 x 1.57 x 1.57		2
5	JF2	PLATE/BRACKET	130 x 30	5.12 x 1.18		4
6	RB1	BRACKET	110x46x40	4.33 x 1.18		8
7	R4	RAFTER	2159 x 40 x 40	85.04 x 1.57 x 1.57		4
8	ST9	ROOF TIE	1562x40x40	61.50 x 1.57 x 1.57		2
9	JF3	PLATE/ BRACKET	210 x 40	8.66 x 1.57		2
10	P4	POST	1995 x 40 x 40	78.54 x 1.57 x 1.57		1
11	L1	BRACKET	95 x 45 x40	3.74 x 1.77		6
12	FT1	FOOT BRACKET	109 x 100 x 40	4.29 x 3.93 x x1.57		3
13	FT3	FOOT BRACKET	109 x 100x 80	4.29 x 3.93 x 3.27		4
14	SS	SEALING STRIP	TRIM TO FIT	TRIM TO FIT		3 ROLLS
15	ACE2	ROOF PANEL	2210 x 1050	87 x 41.34		2
16	ACC2	ROOF PANEL	2210 x 1030	87 x 40.55		1
17	RC2	ROOF STRIP	2180 x 60	85.83		4
18	A2	ROOF EDGE ANGLE	1035 x 50 x 50	40.55 x 1.97 x 1.97		3
19	EC40	PLASTIC END CAP	40 x 40	1.57 X 1.57		14

Fittings	Bolt set M10	Nut	Washer	Black Cap	T25	AB1210
	M10 X 60mm				25mm Tech screw	M10 x 100mm Concrete Bolt
<b>Pack A+B Required</b>	40	40	80	80	202	13
<b>Spare</b>	39	39	78	78	104	7
<b>Image</b>	1	1	2	2	72	6
						

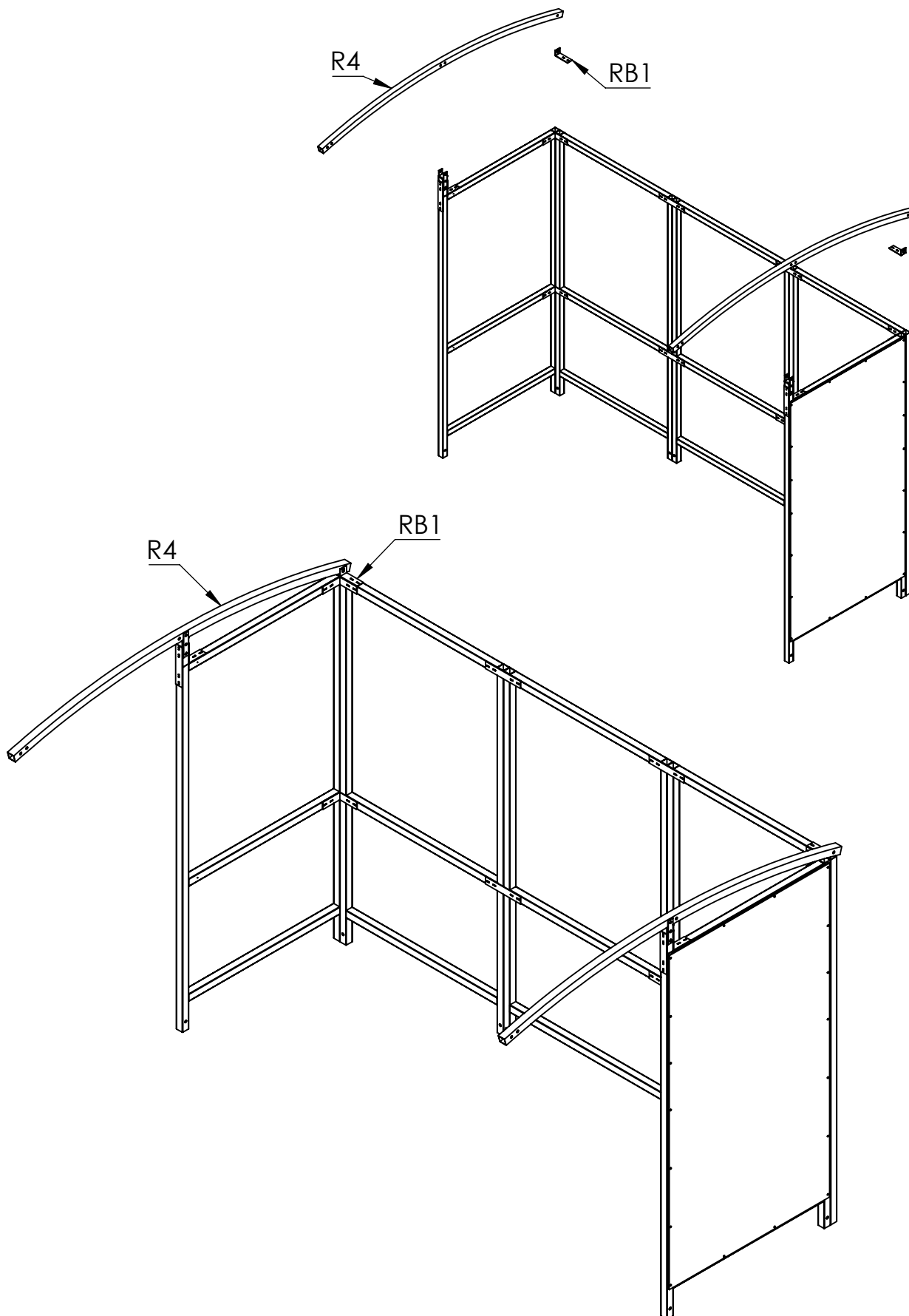
**Step 1** Assemble **S1C** frames to make up the main structure using **CB1** brackets in the corners and **JF1** brackets on the straight joints. Attach the **S1 stub** as shown using **JF1**, **CF1** and **JF3** brackets.



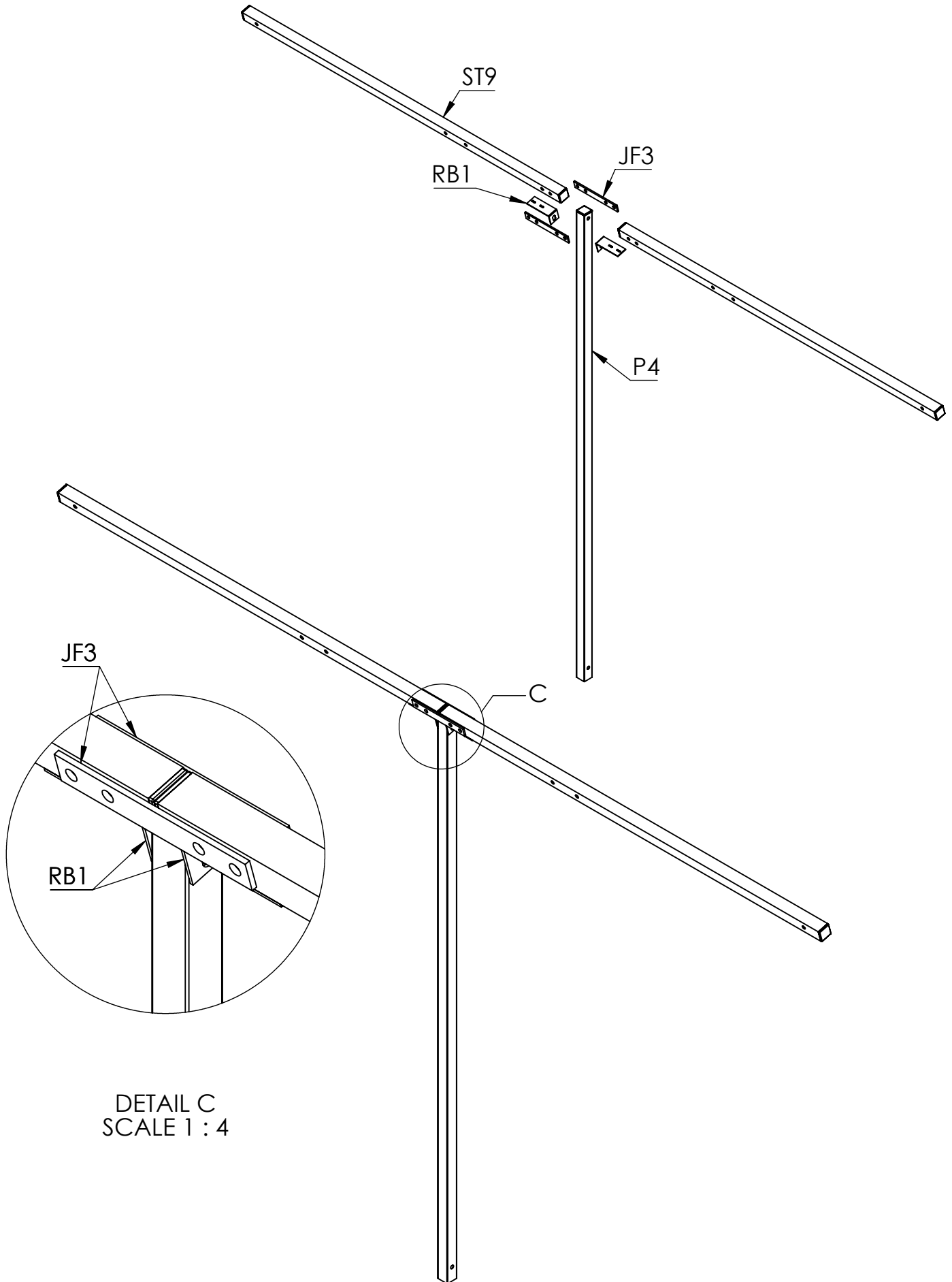
DETAIL A  
SCALE 1 : 5



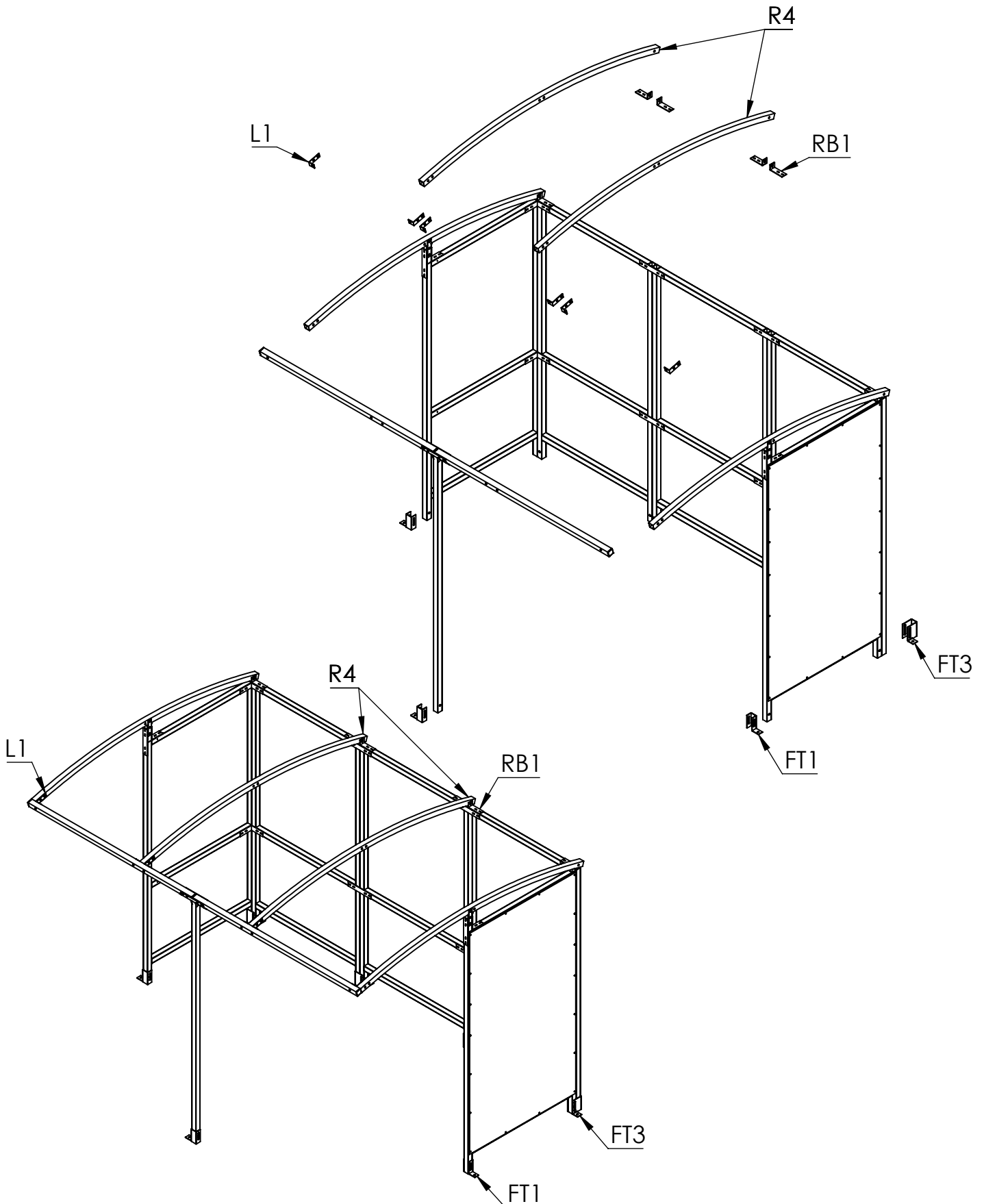
**Step 2** Attach first **R4** rafters using **RB1** brackets on the back of the shelter and **S1** stubs in the middle.



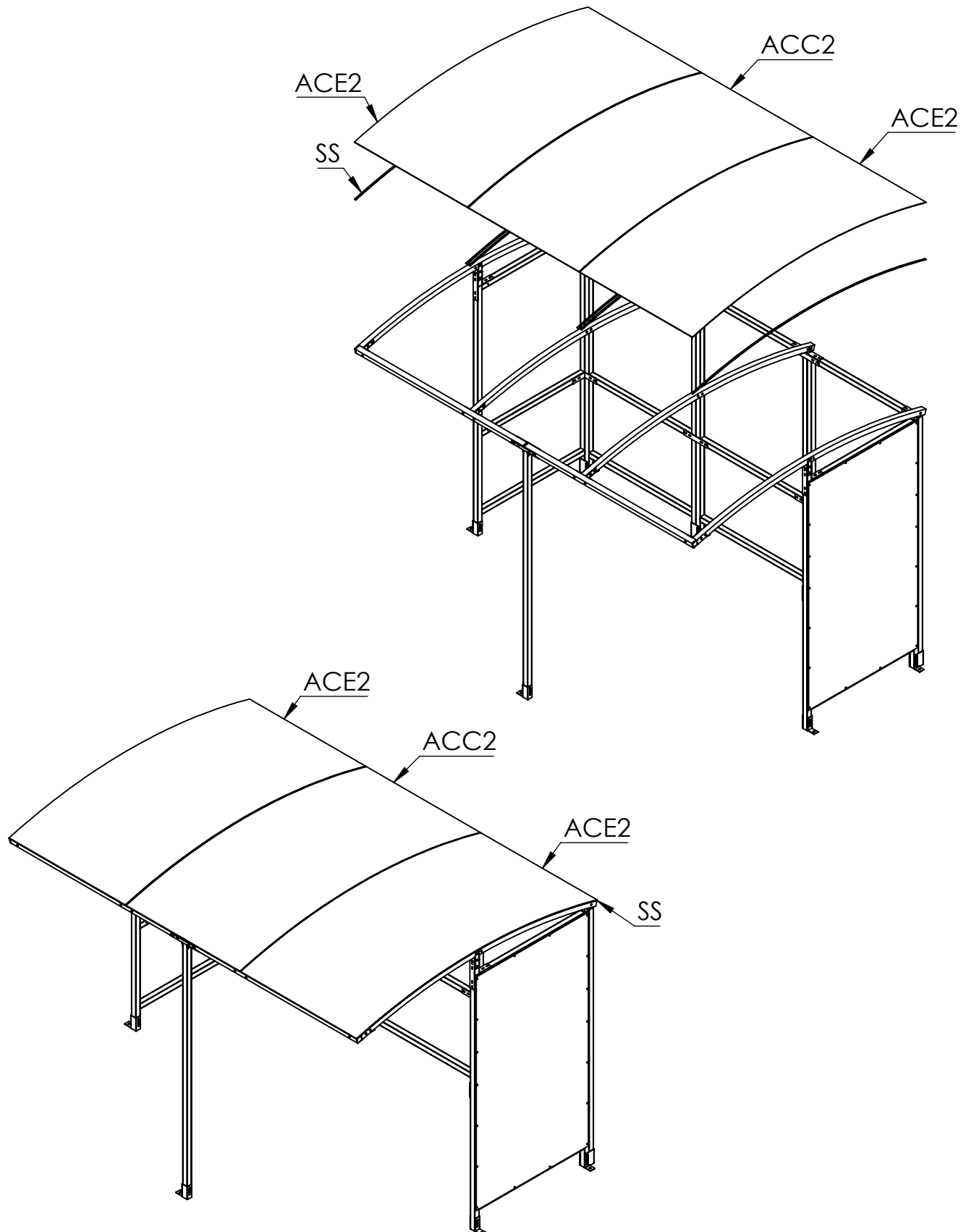
**Step 3** Assemble the **T-frame** using two **ST9** tie bars and a **P4** post. Join the two **ST9** bars together first using **JF3** brackets, then attach the **P4** post using two **RB2** brackets.



**Step 4** Use **L1** brackets to attach the T-bar to the front of the shelter and install the remaining **R4** rafters using **RB1** brackets on the rear and **L1** brackets at the front. Attach the **FT1** and **FT3** brackets and move the shelter in to its final position before using anchor bolts to secure it to the ground.

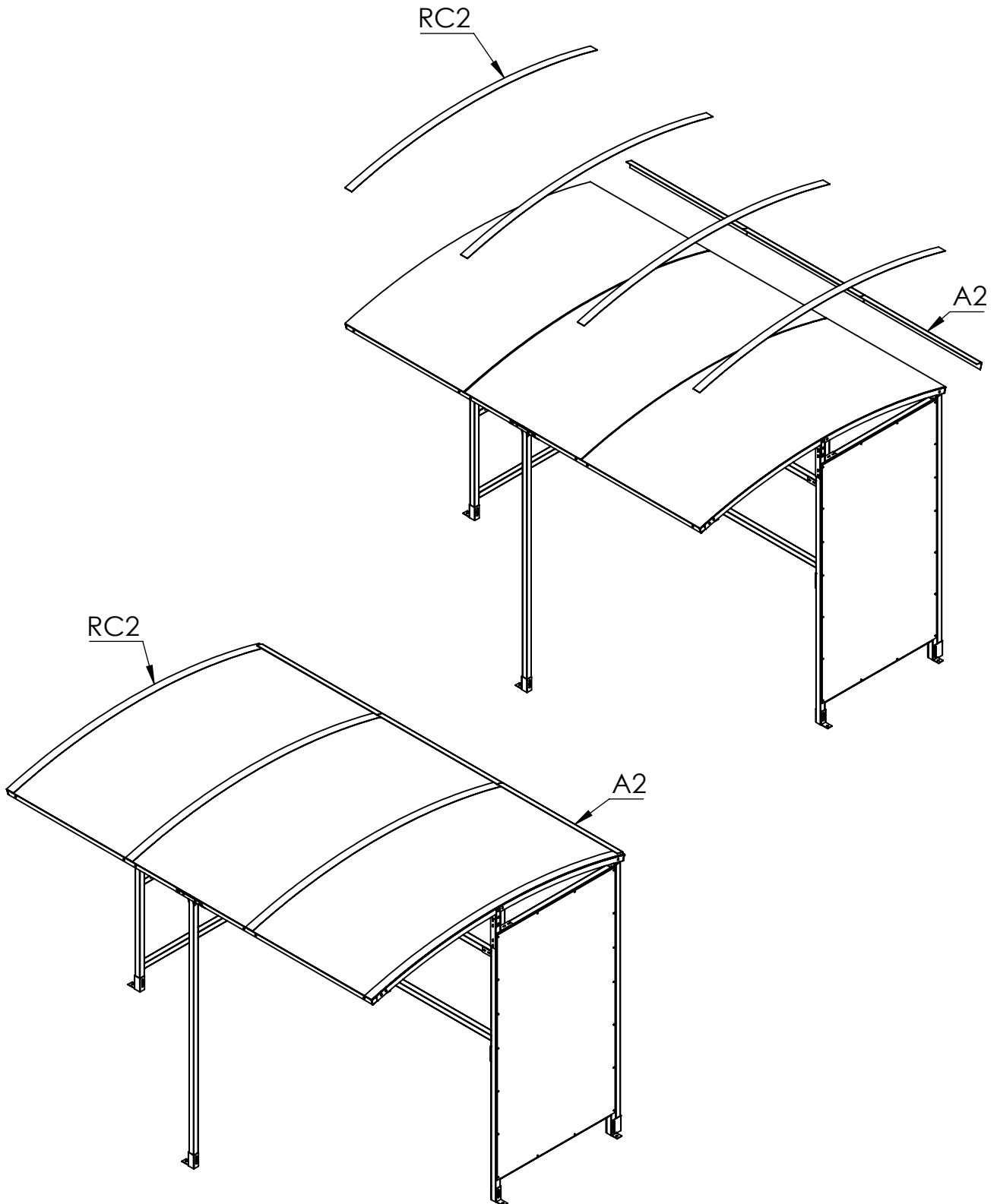


**Step 5** Stick sealing strips (**SS**) to the rafters and align the **ACE2** panels to the outside of the shelter and centralise the **ACC2** panel in the centre.



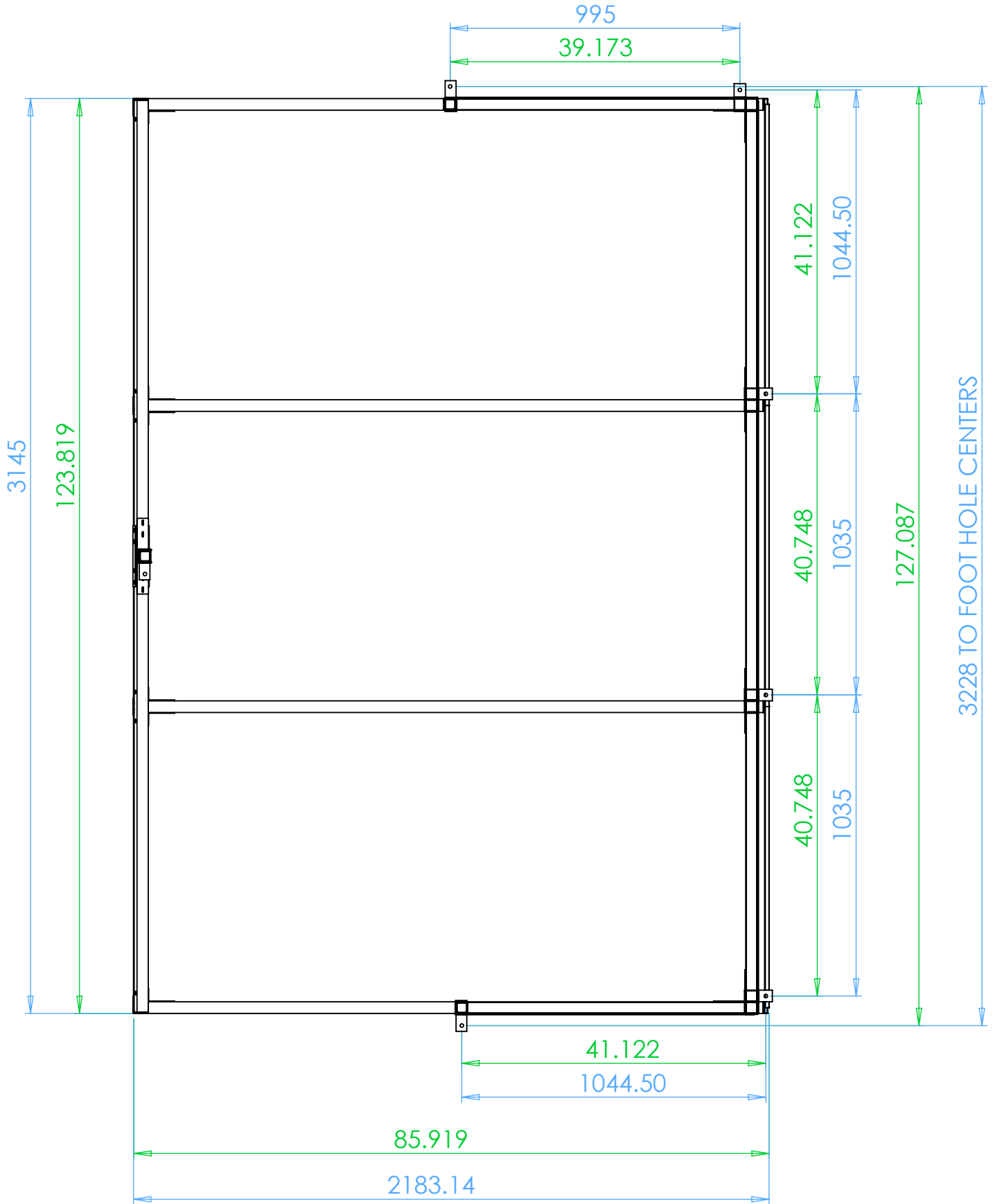


**Step 6** Screw down the **RC2** strips directly into the rafter with the **25mm TEC screws** to secure the roof panels. Then fit the Black plastic caps on exposed nuts and bolts. Fit the square end caps (**EC40**) to any open ends of box sections. Screw the **A2 Roof Angles** onto the back edge of the roof as shown below.



# PLAN VIEW

## OVERALL DIMENSIONS AND GROUND FIXING POSITIONS



Suggested size for concrete base:  
200mm oversized on all sides

**Notes:**

# THANK YOU FOR PURCHASING THIS PRODUCT

## MAINTENANCE:

To ensure your product gives you many years of use we recommend that you:

- Clean panels regularly with soapy water
- Ensure all fittings are tight (for example after a big storm)
- Touch up any exposed metal should it get scratched

## CONTACT DETAILS:

Email : [Sales@nobutts.com](mailto:Sales@nobutts.com)

Web : [www.nobutts.com](http://www.nobutts.com)

Tel : 1-888-662-8887

No Butts Bin Company, Inc. 16 Birch Lane, Madison, CT 06443

<b>All Parts and Fixings checked by:</b>	
Print Name:	Signature: