

Assembly Instructions

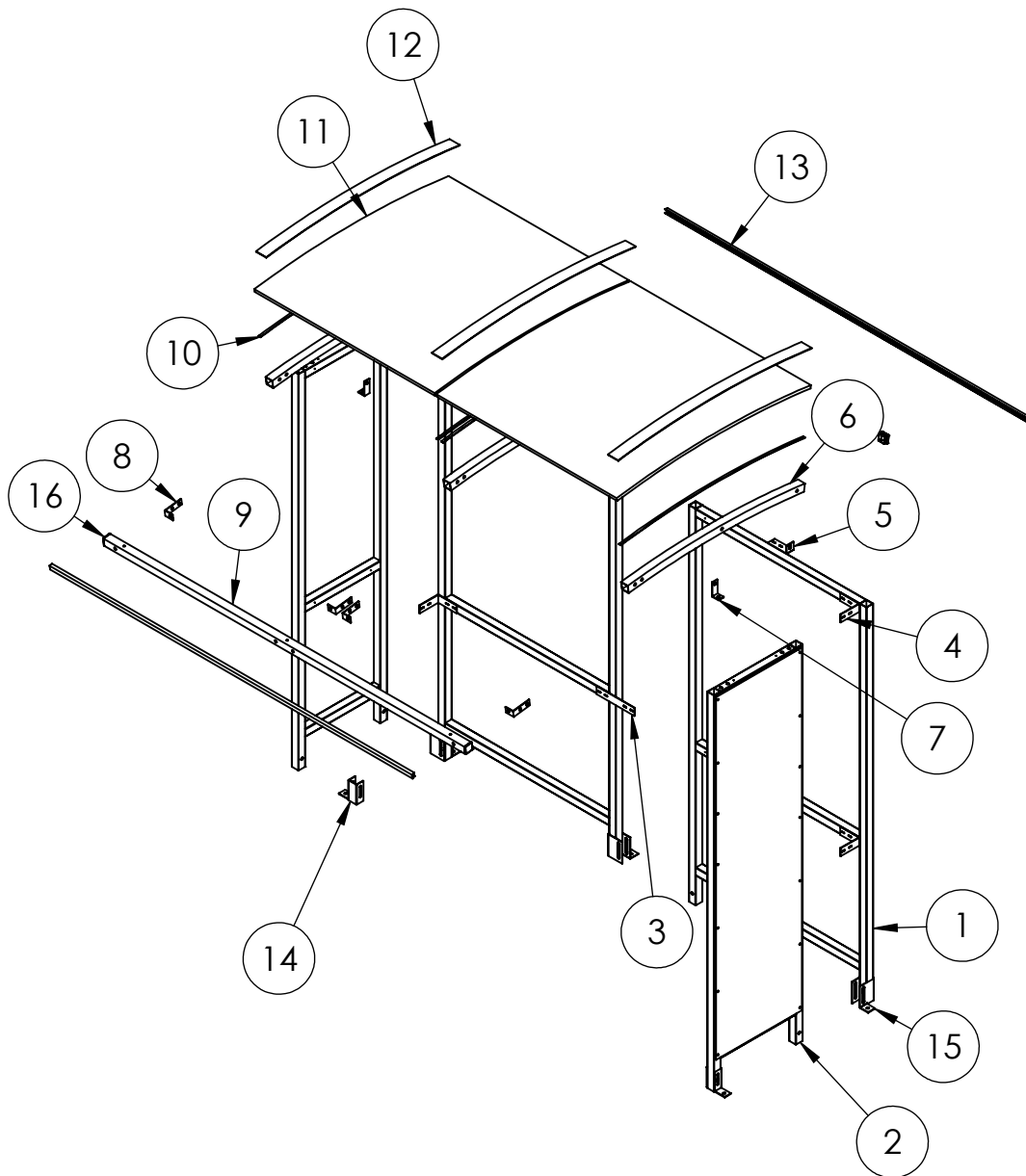


Email : Sales@nobutts.com
Web : www.nobutts.com
Tel : 1-888-662-8887

Shelter Type: SR1601-F

SR1601-F-02-14022019-USA

EXPLODED VIEW



Tools required:



Drill/Screwdriver



Spanner



Mallet



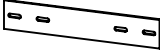




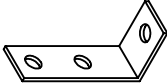


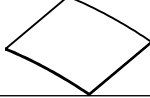
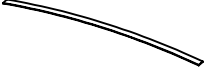






Torx bit



Hack saw

PARTS LIST

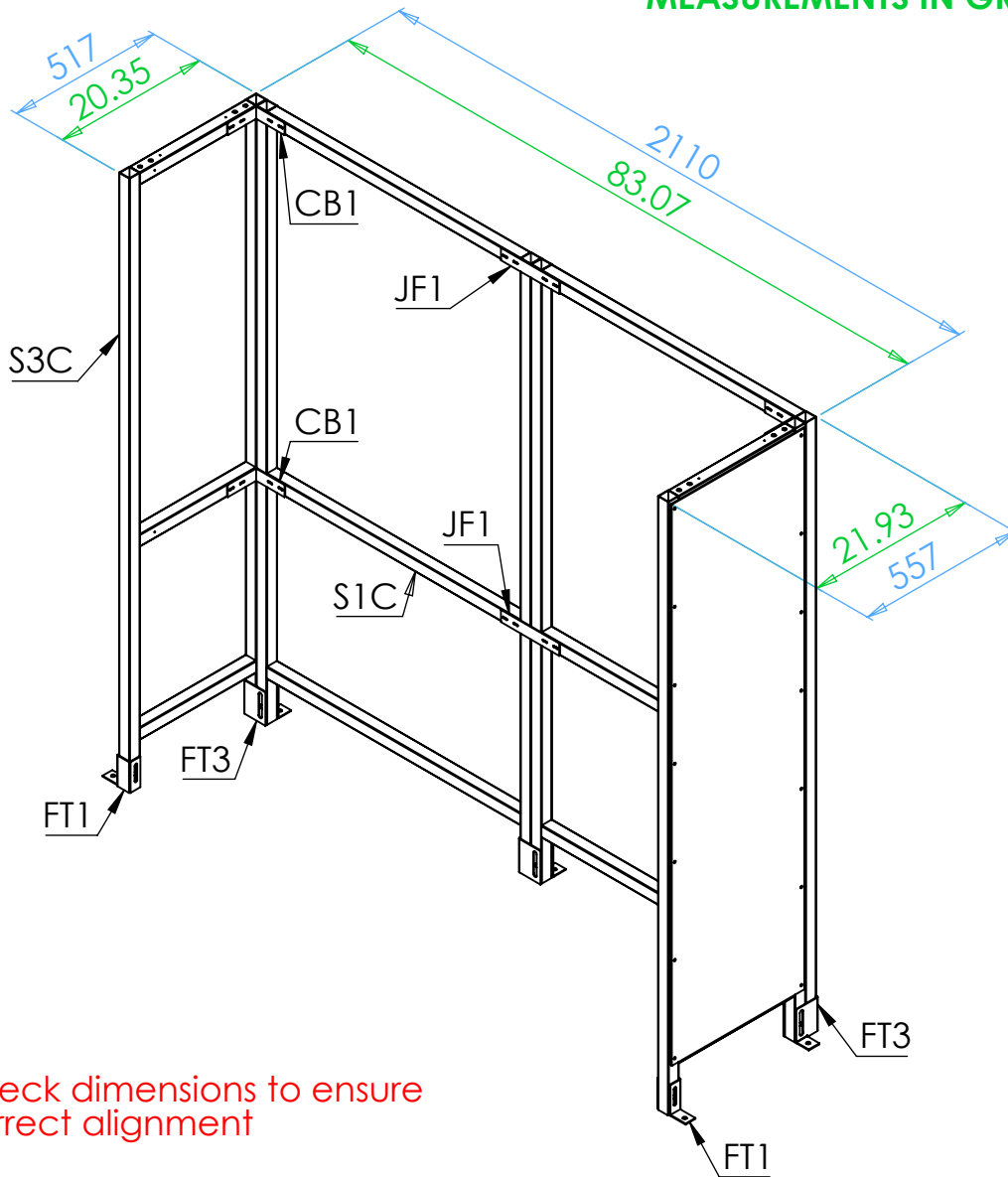
ITEM NO.	PART NO.	DESCRIPTION	DIMENSION (MM)	DIMENSION (INCH)	IMAGE	QTY.
1	S1C	FRAME	2000x1035	78.74x40.55		2
2	S3C	FRAME	2000x517	78.74x20.35		2
3	JF1	BRACKET	220x40	8.66x1.58		2
4	CB1	BRACKET	110x110	4.33x4.33		4
5	RB1	BRACKET	110x40x40	4.33x1.81		4
6	R3	RAFTER	1035x40x40	40.75x1.57x1.57		3
7	L3	BRACKET	73x38	2.87x1.50		2
8	L1	BRACKET	95x45	3.74x1.77		4
9	B1	BEAM	2100x40x40	82.68x1.57x1.57		1
10	SS	SEALING STRIP	TRIM TO SUIT	TRIM TO SUIT		1 Roll
11	PCE1	ROOF PANEL	1130x1050	44.49x41.34		2
12	RC1	ROOF STRIP	1130	44.49		3
13	2MD	ROOF EDGE	TRIM TO SUIT	TRIM TO SUIT		3
14	FT1	FOOT BRACKET	109x100x40	4.29x3.93x1.57		2
15	FT3	FOOT BRACKET	109x100x80	4.29x3.93x3.27		3
16	EC40	END CAP	40x40	1.57x1.57		10

Fittings	Bolt set M10	Nut	Washer	Black Cap	T25	T38	AB1210
	M10 x 60				25mm Tech screw	38mm Tech screw	M10 x 100 Concrete Bolt
Pack A	30	30	60	60	72	30	8
Required	22	22	49	49	32	18	5
Image							

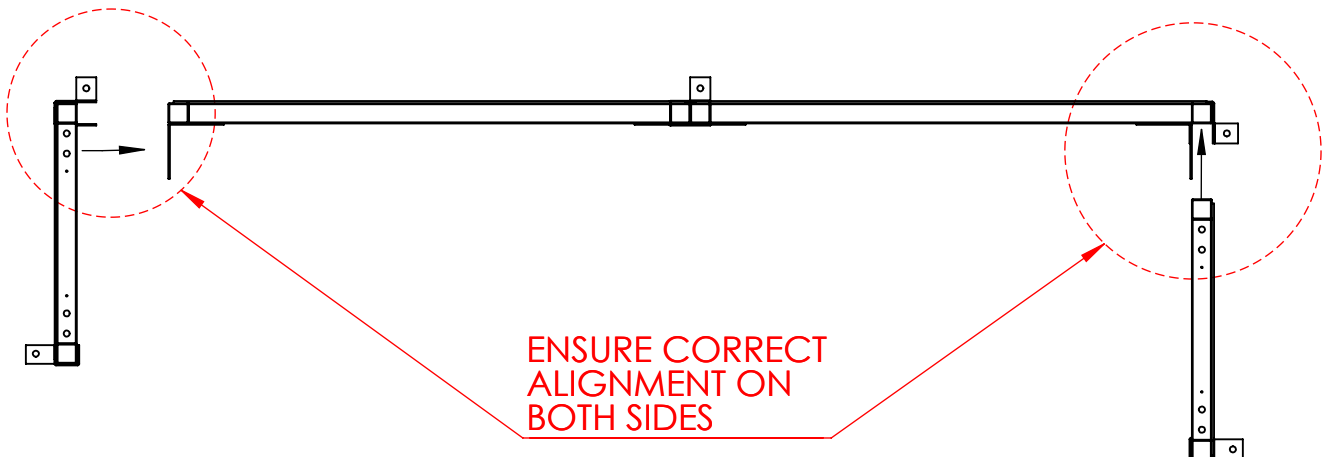
Step 1 Assemble main frame using **S1C** and **S3C** welded Frames. Join the frames using **CB1** brackets in the corners and **JF1** brackets for the flat joints. Then move the shelter to its final position, attach **FT1** and **FT3** foot brackets and use the concrete bolts to secure it to the ground.

MEASUREMENTS IN BLUE - MM

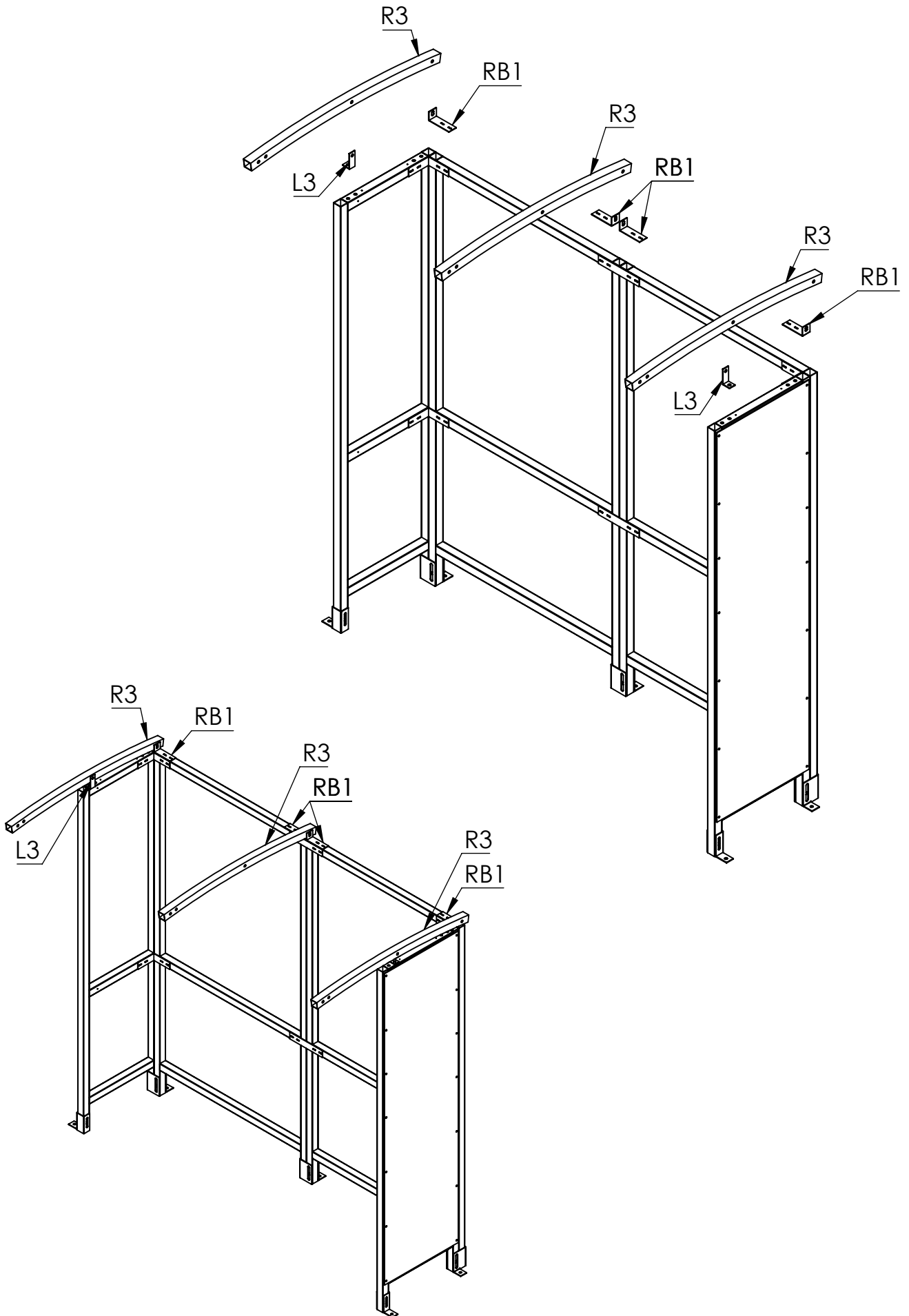
MEASUREMENTS IN GREEN - INCHES



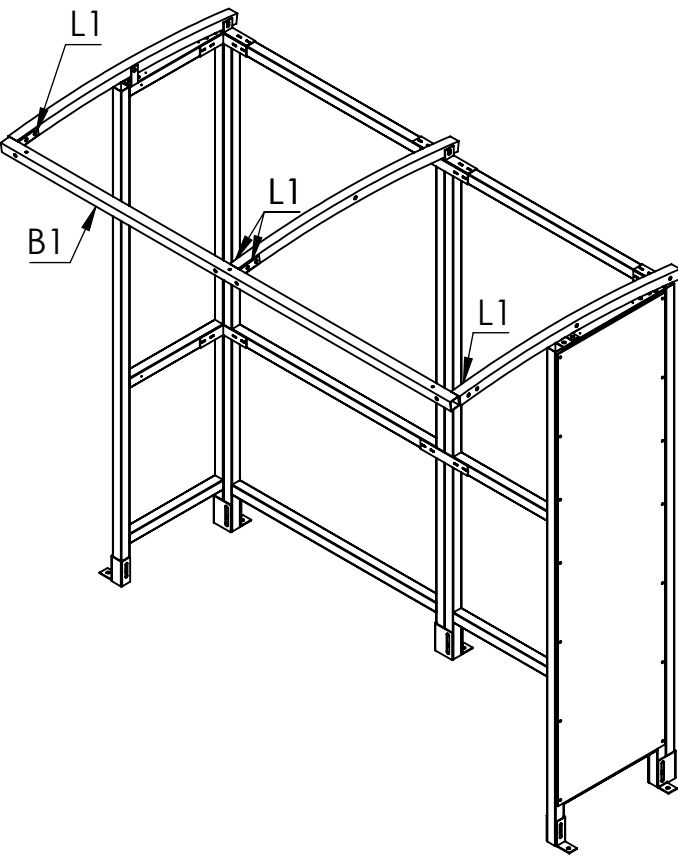
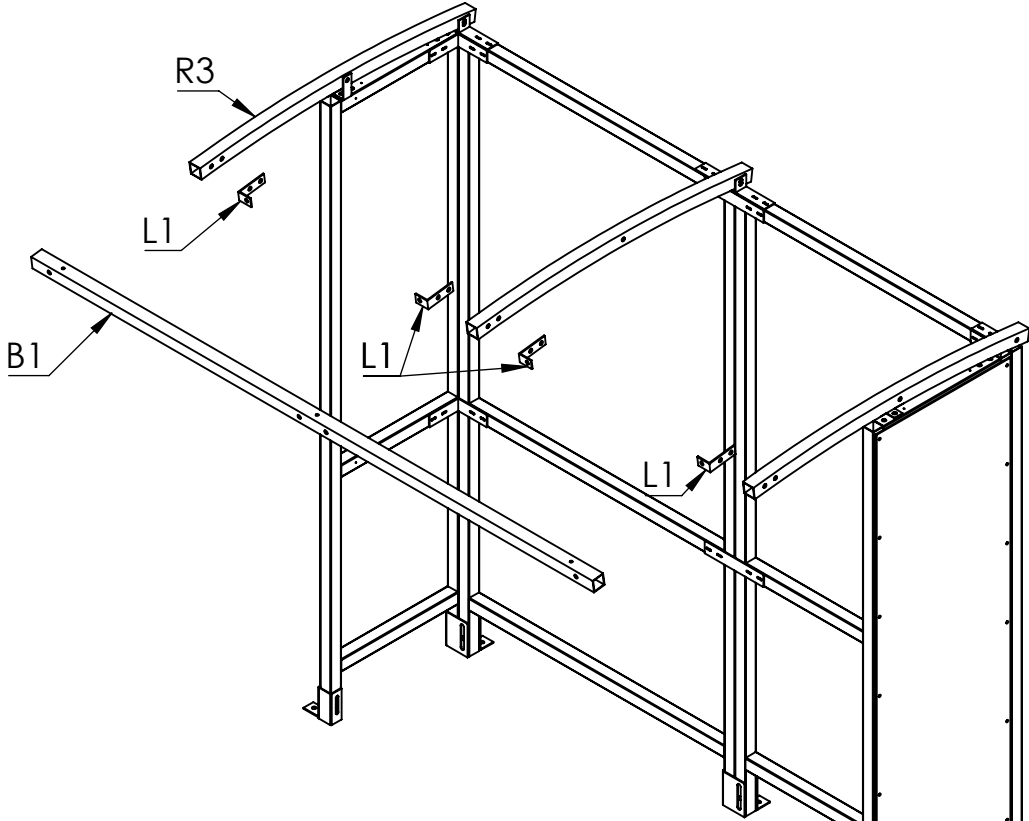
Check dimensions to ensure correct alignment



Step 2 Attach **R3** rafters using **RB1** brackets at rear and **L3** brackets in the centre.

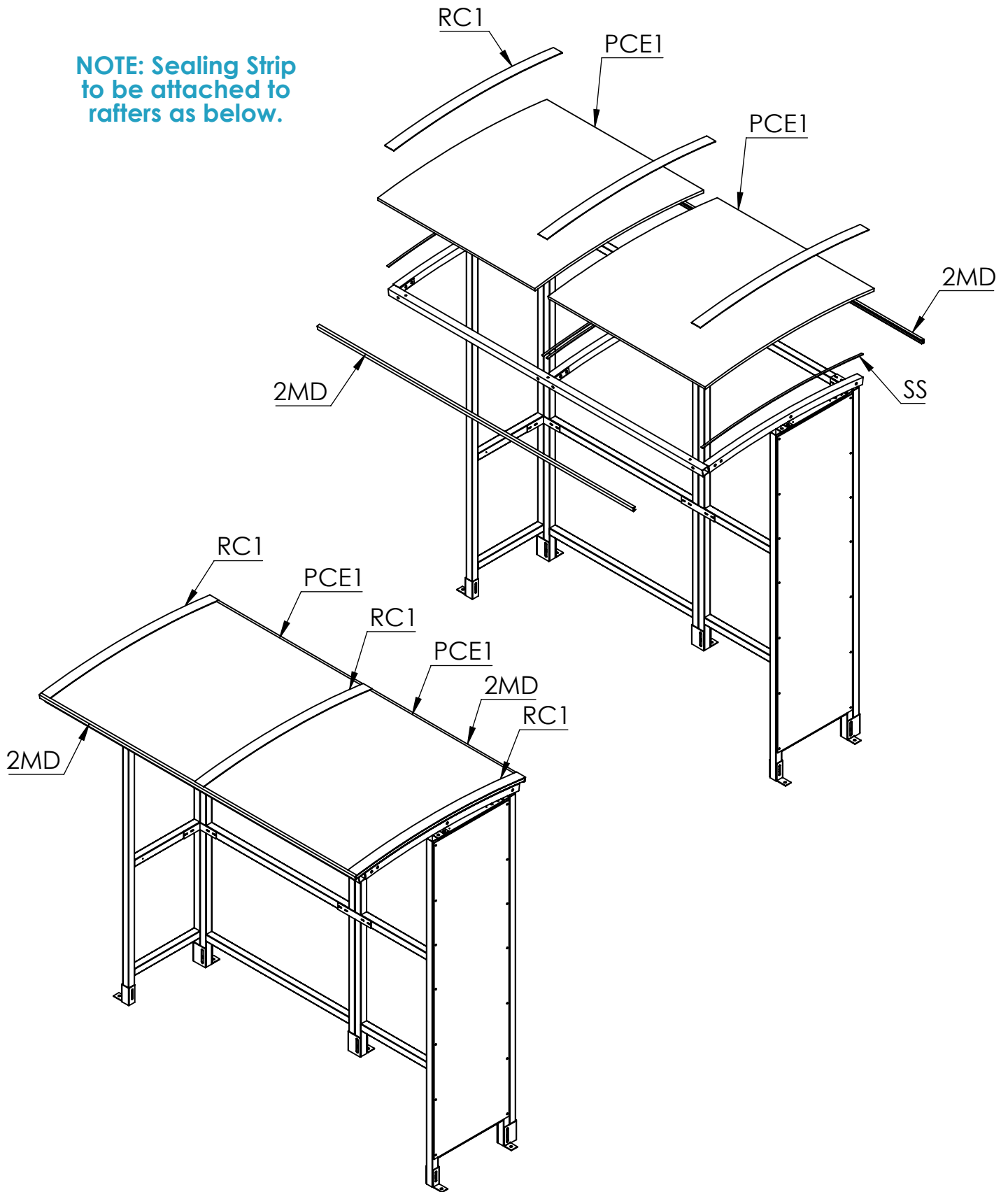


Step 3 Attach **L1** brackets to **R3** rafters. Then attach **B1** tie bar.



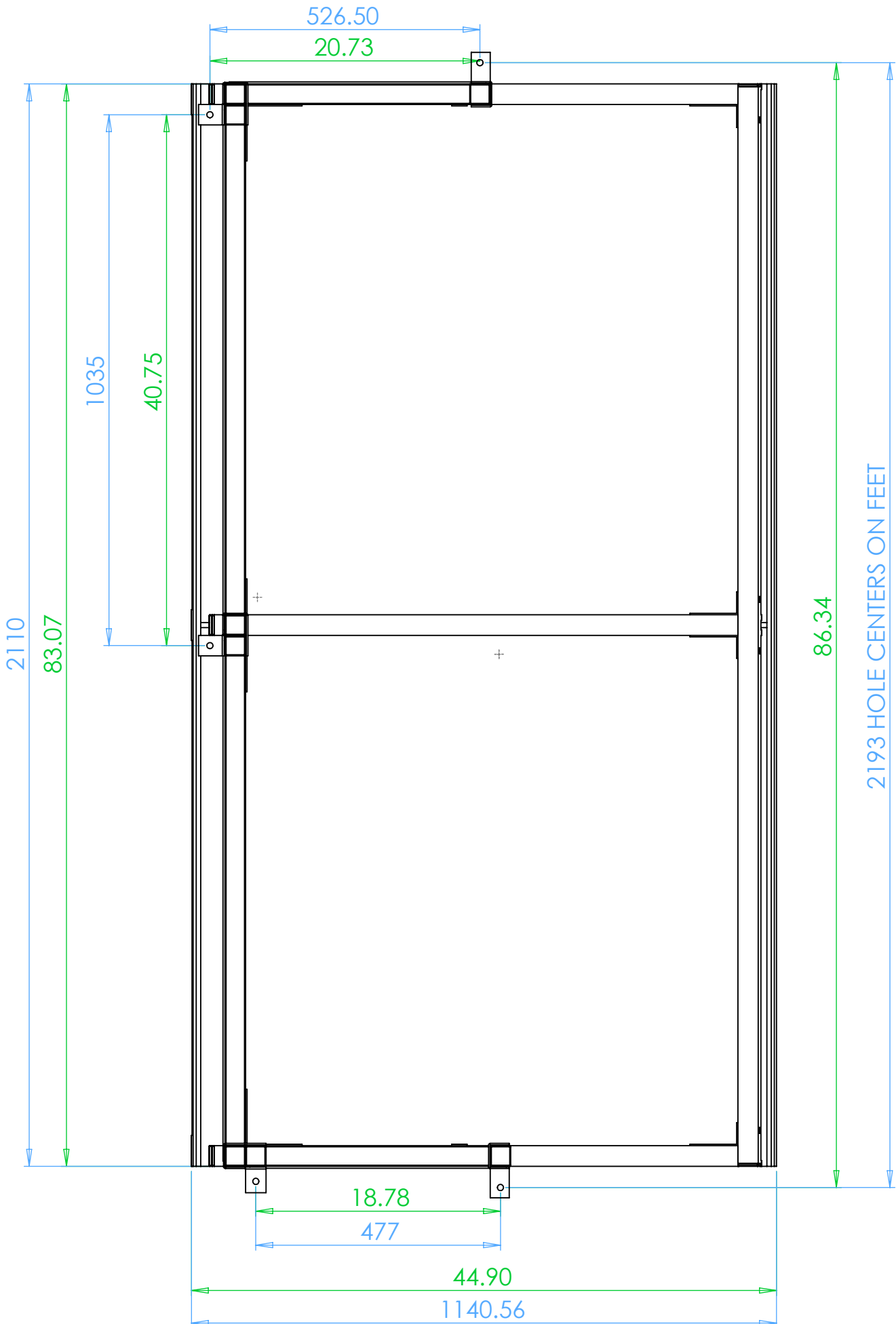
Step 4 Apply sealing strips to **R3** rafters then put the **PCE1** Panels on top, secure down **RC1** strips with **38mm Tech screws**. Then attach the **2MD** edge trim.

NOTE: Sealing Strip to be attached to rafters as below.



PLAN VIEW

Suggested size for concrete base: 200mm / 7.87in oversized on all four sides



Notes:

Notes:

Notes:

THANK YOU FOR PURCHASING THIS PRODUCT

MAINTENANCE:

To ensure your product gives you many years of use we recommend that you:

- Clean panels regularly with soapy water
- Ensure all fittings are tight (for example after a big storm)
- Touch up any exposed metal should it get scratched

CONTACT DETAILS:

Email : Sales@nobutts.com

Web : www.nobutts.com

Tel : 1-888-662-8887

No Butts Bin Company, Inc. 16 Birch Lane, Madison, CT 06443

All Parts and Fixings checked by:	
Print Name:	Signature: