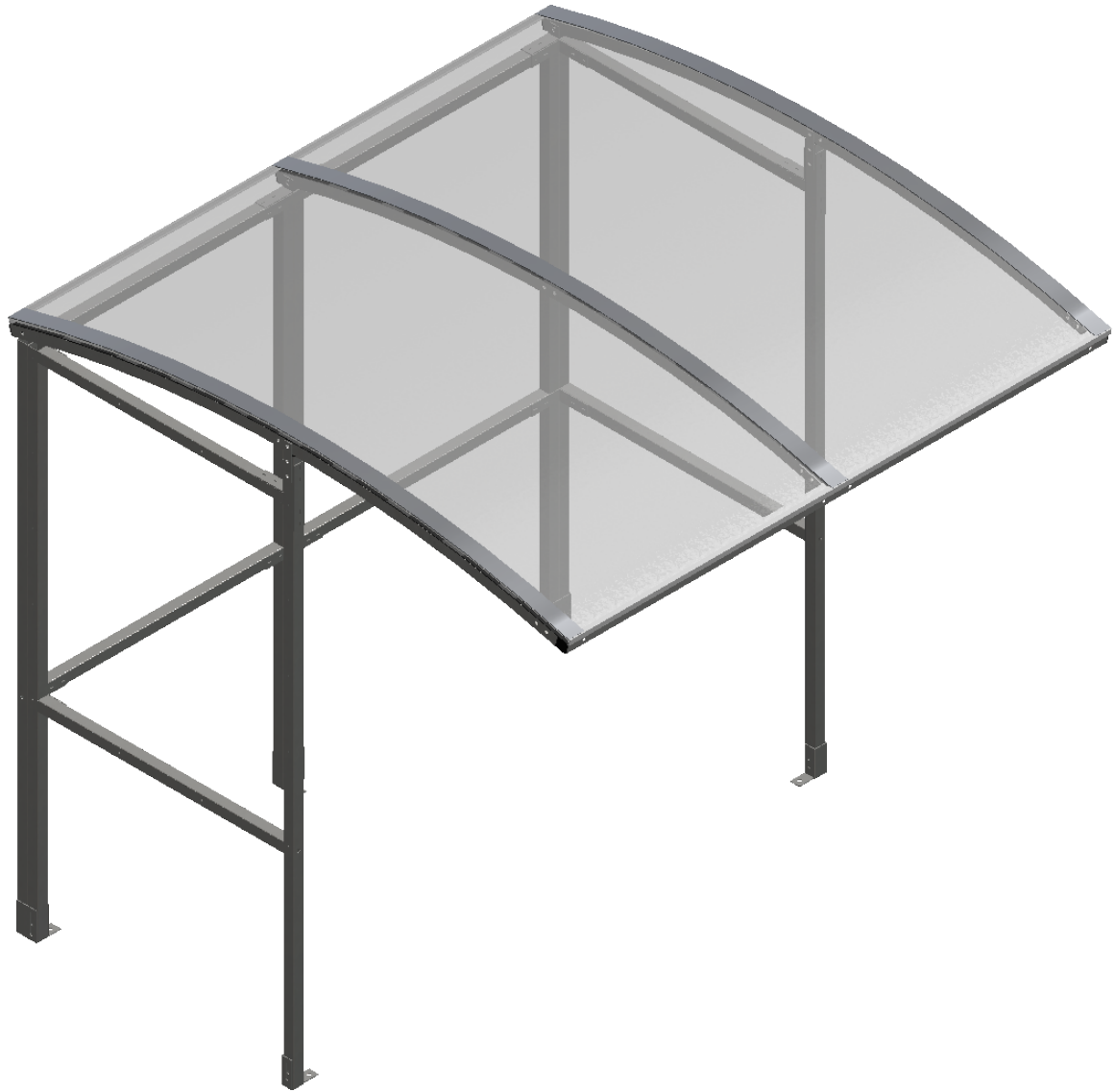


Assembly Instruction



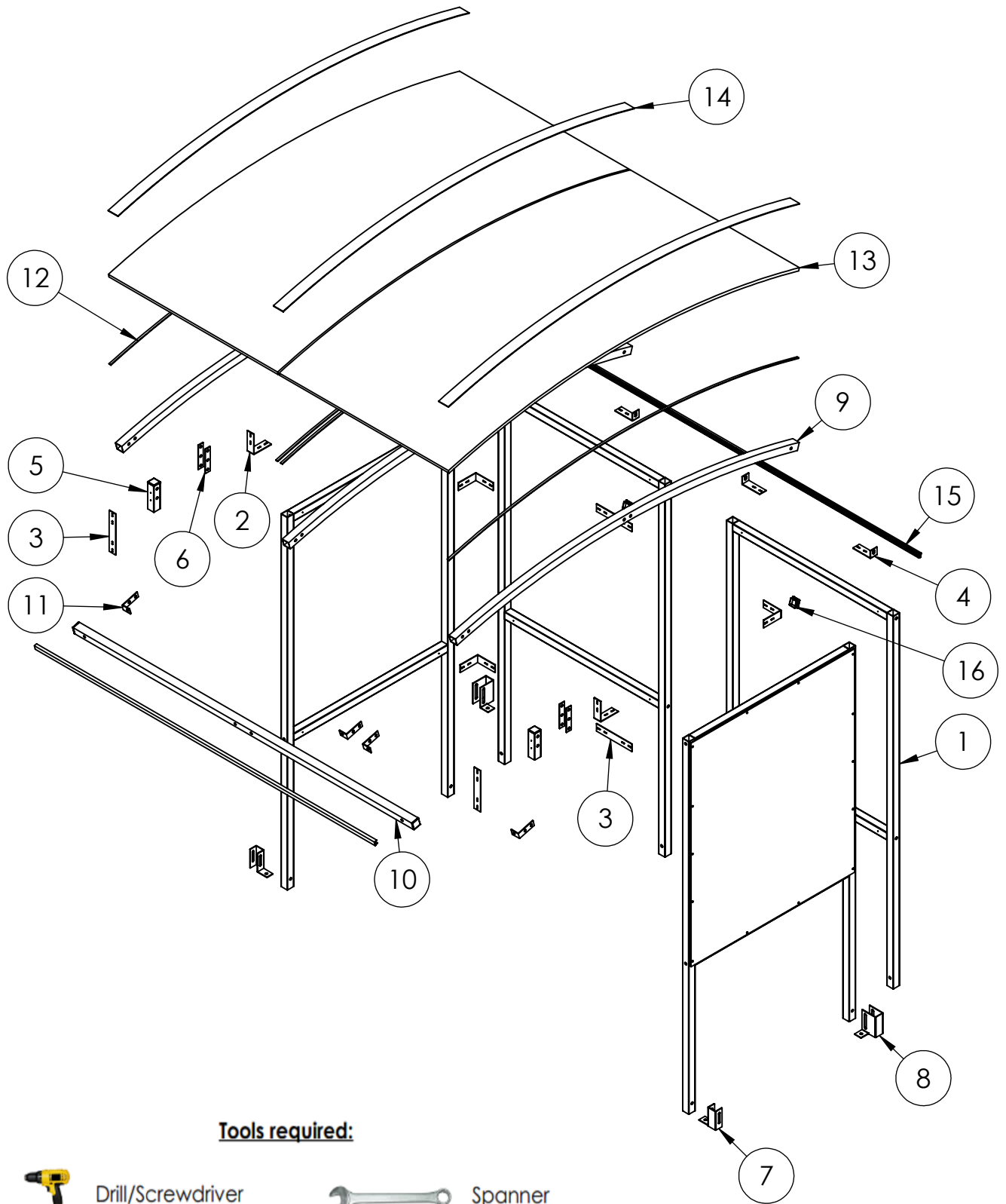
No Butts Bin Co.
Better Ash & Trash Solutions
Est. 1991

Email : Sales@nobutts.com
Web : www.nobutts.com
Tel : 1-888-662-8887

Shelter Type: SR1604-F

SR1604-F-02-150219-USA

EXPLODED VIEW



Tools required:



Drill/Screwdriver



Spanner



Mallet



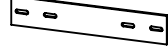

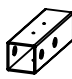

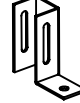







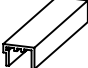



Torx bit



Hack saw

PARTS LIST AND FIXINGS

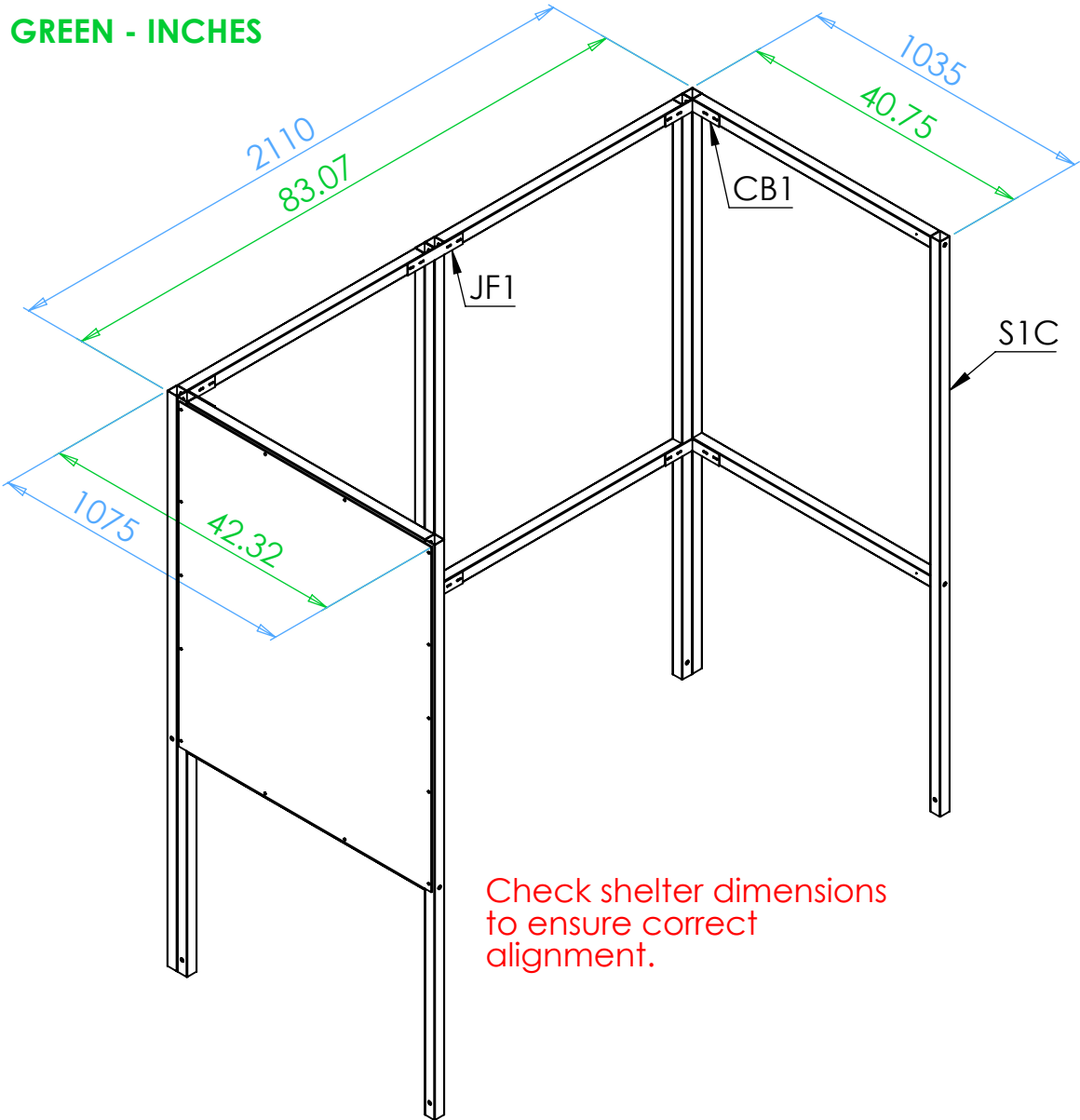
ITEM NO.	PART NO.	DESCRIPTION	DIMENSION (MM)	DIMENSION (INCHES)	IMAGE	QTY.
1	S1C	FRAME	2000 x 1035	78.74 x 40.55		4
2	CB1	CORNER BRACKET	110 x 110	4.33 x 4.33		6
3	JF1	BRACKET	220 x 40	8.66 x 1.57		4
4	RB1	BRACKET	110 x 42	4.33 x 1.81		4
5	S1 STUB	STUB	140 x 40 x 40	5.51 x 1.57 x 1.57		2
6	JF2	BRACKET	130 x 30	5.12 x 1.18		4
7	FT1	FOOT BRACKET	106 x 100 x 40	4.29 x 3.93 x 1.57		2
8	FT3	FOOT BRACKET	106 x 100 x 80	4.29 x 3.93 x 1.57		3
9	R4	RAFTER	2160 x 40 x 40	85.04 x 1.57 x 1.57		3
10	ST8	ROOF TIE	2100 x 40 x 40	82.68 x 1.57 x 1.57		1
11	L1	BRACKET	95 x 45 x 30	3.74 x 1.77		4
12	SS	SEALING STRIP	Cut To Fit	Cut To Fit		2 ROLLS
13	PCE2	ROOF PANEL	2220 x 1050	87.40 x 41.34		2
14	RC2	ROOF STRIP	2180	87.40		3
15	2MD	ROOF EDGING	Cut To Fit	Cut To Fit		3
16	EC40	PLASTIC END CAP	40x40	1.75 x 1.75		10

FIXINGS	Bolt set M10	Nut	Washer	Black Cap	T25	T38	AB1210
	M10 x 60mm				25mm Tech screw	38mm Tech screw	M10 X 100mm Concrete Bolt
Pack A	30	30	60	60	72	30	8
Required	24	24	48	48	52	30	5
Image							

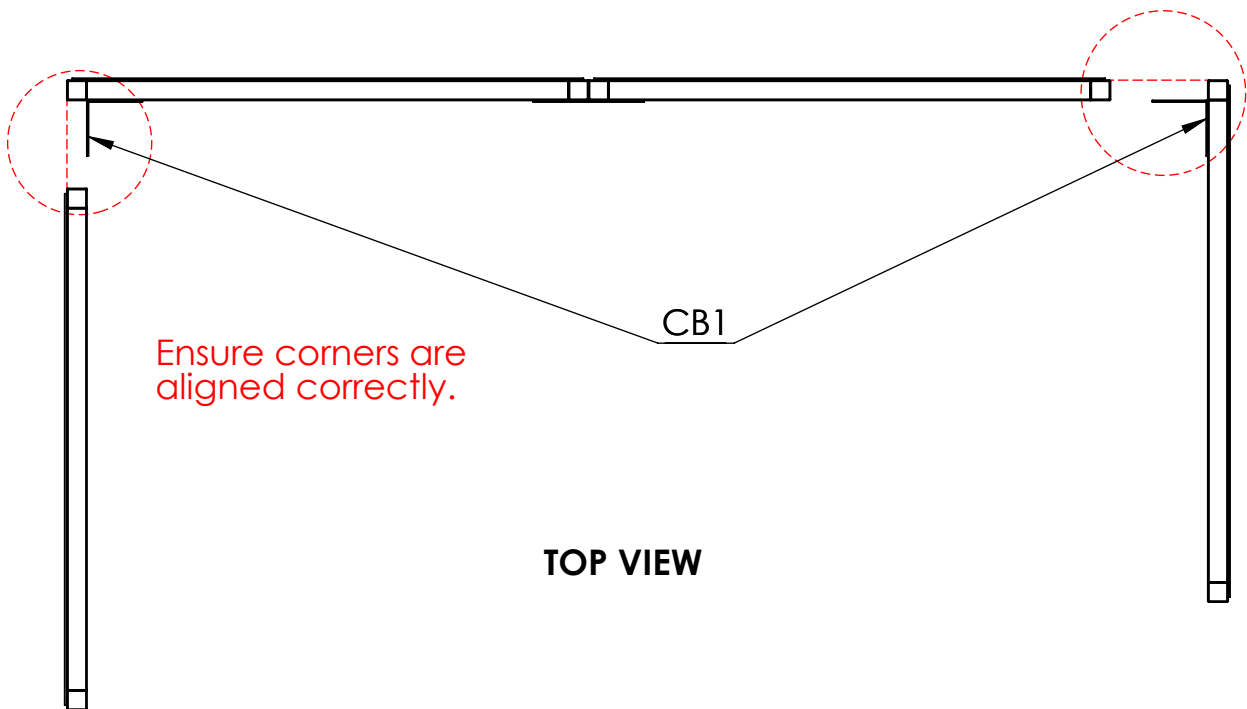
Step 1 Assemble **S1C** frames to make up the main structure using **CB1** brackets in the corners and **JF1** brackets for the straight joints.

MEASUREMENTS IN BLUE - MM

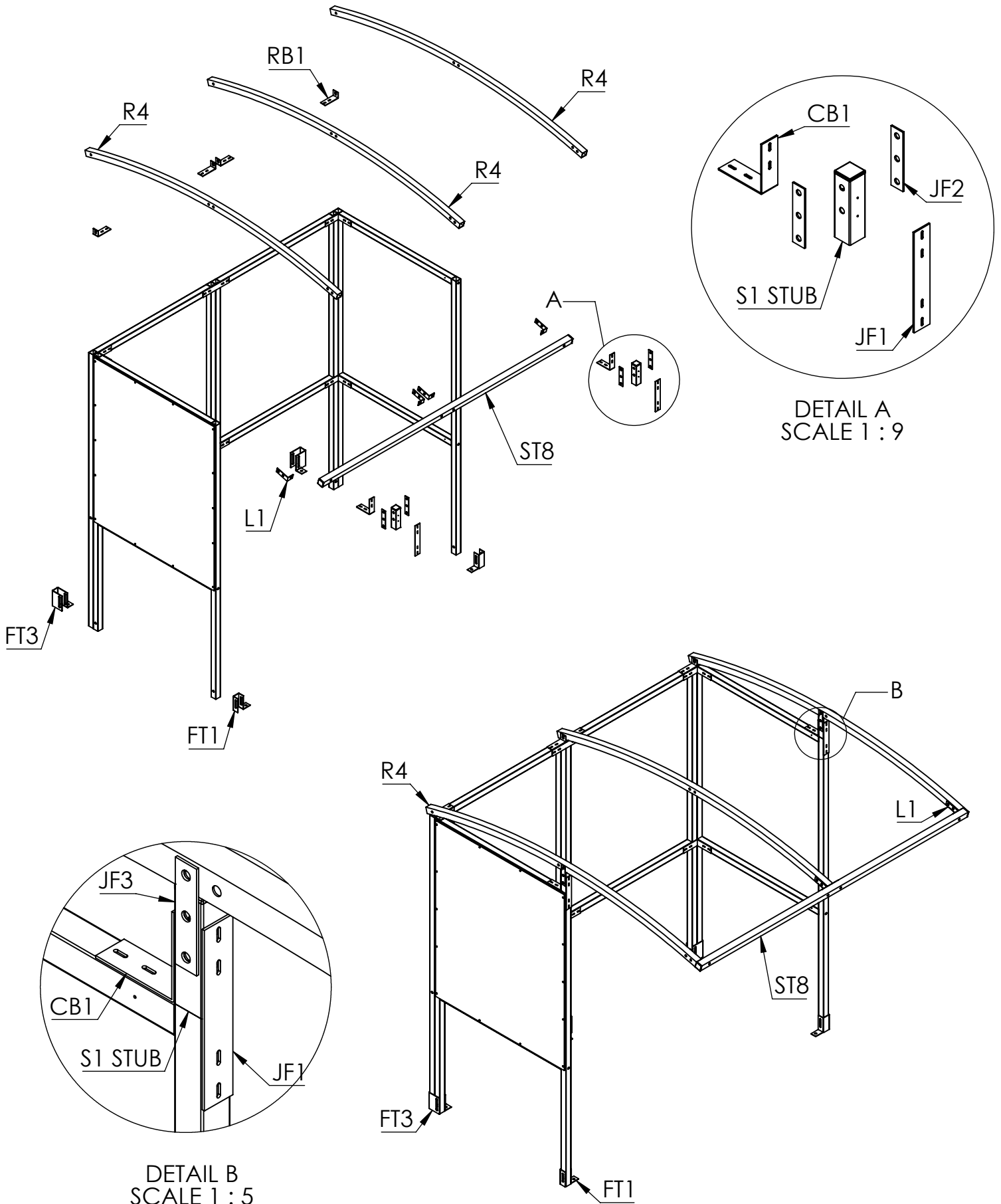
MEASUREMENTS IN GREEN - INCHES



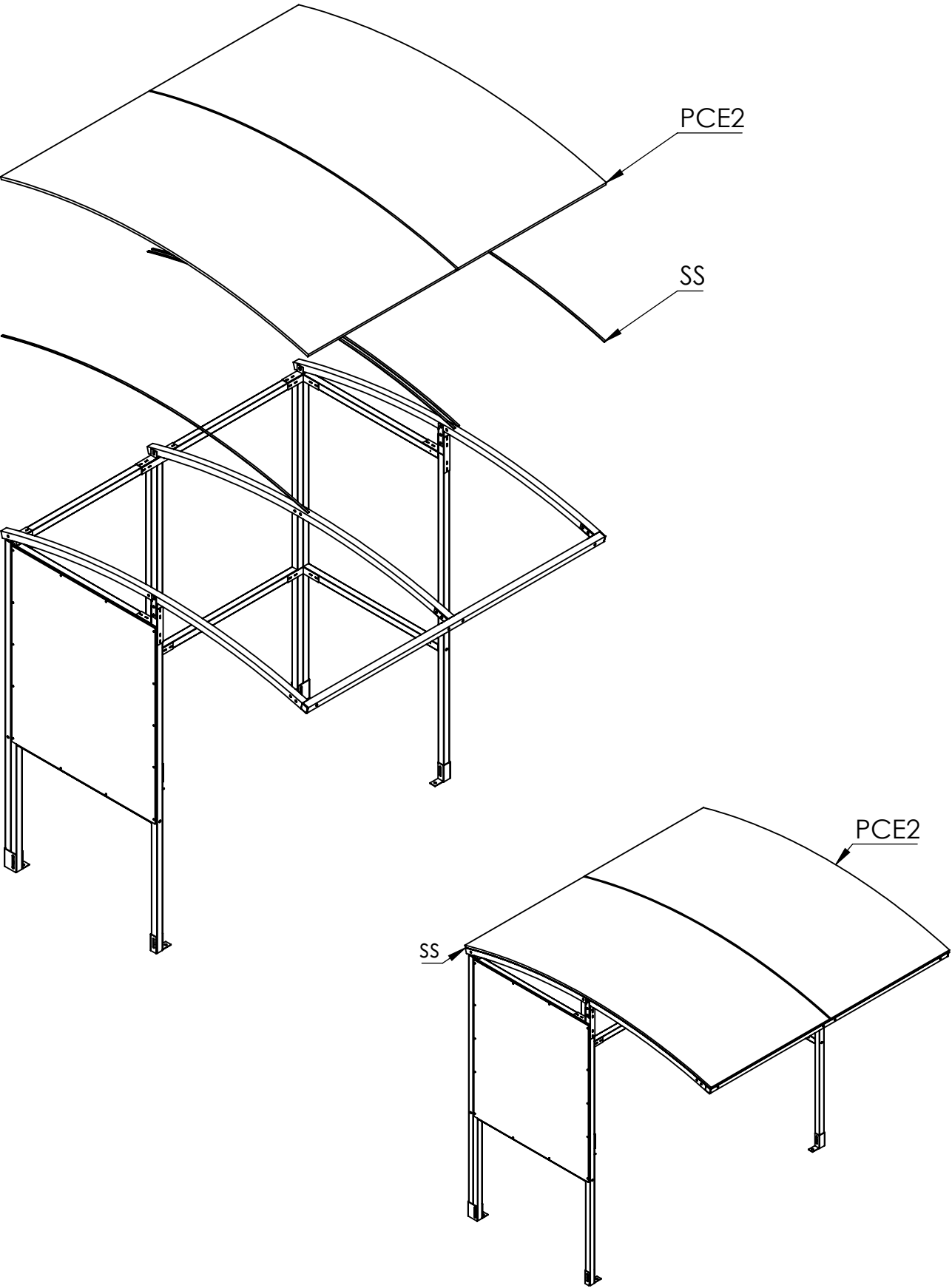
Check shelter dimensions to ensure correct alignment.



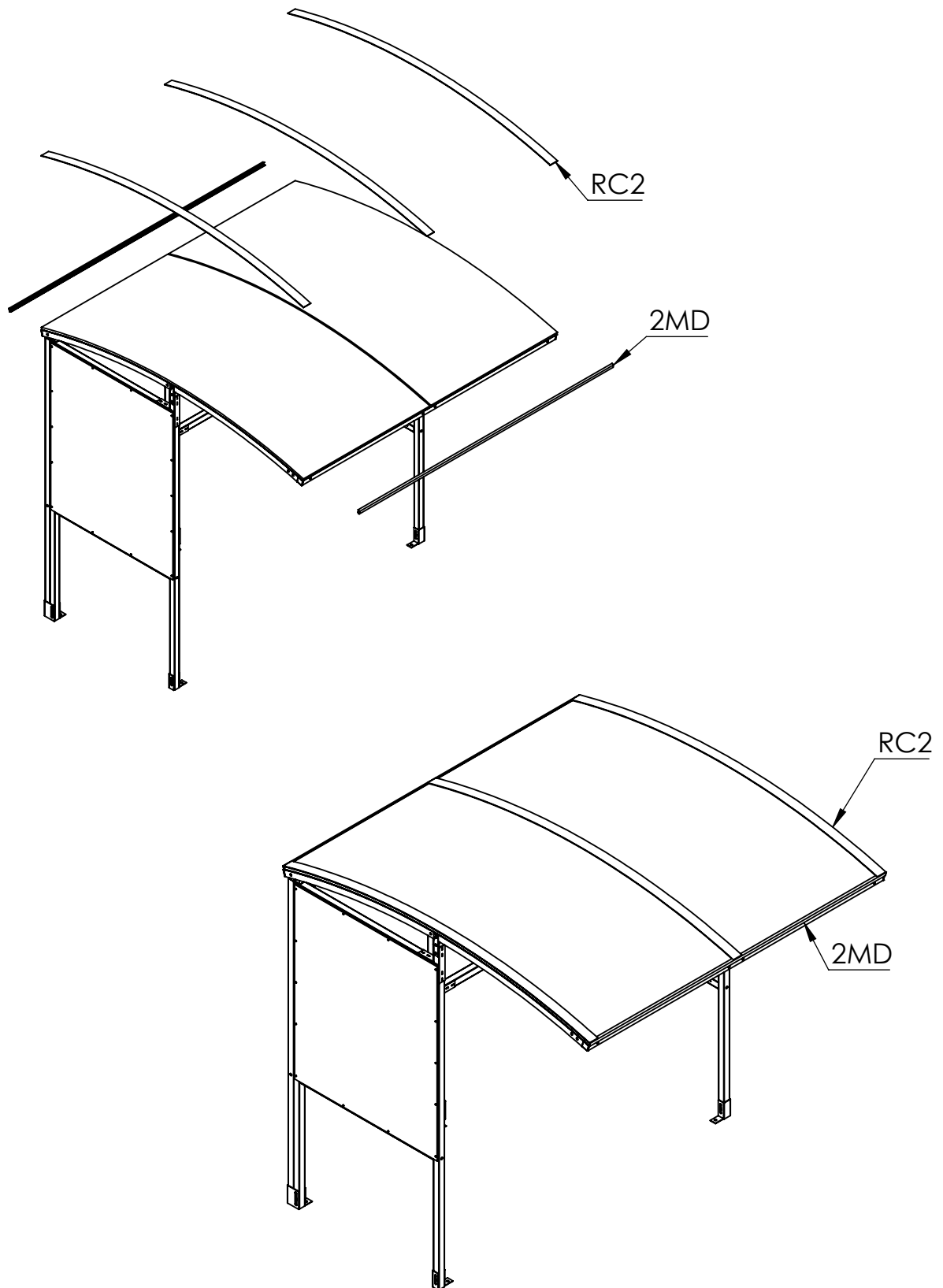
Step 2 Move the shelter in to its final position, make sure it is square and attach **FT1** and **FT3** foot brackets, which screw into the ground with the concrete bolts. Attach **JF2** brackets to **S1 Stubs**. Using **CB1** and **JF1** brackets, secure **S1 Stub** to frame. Now fix the **RB1** brackets to the rear of the frame, attach **R4** rafters. Use **L1** brackets to attach **ST8** tie bar.



Step 3 Apply sealing strips (**SS**) to rafters. Align the two **PCE2** roof panels with the outer edges of the shelter, leaving a gap in between the panels.

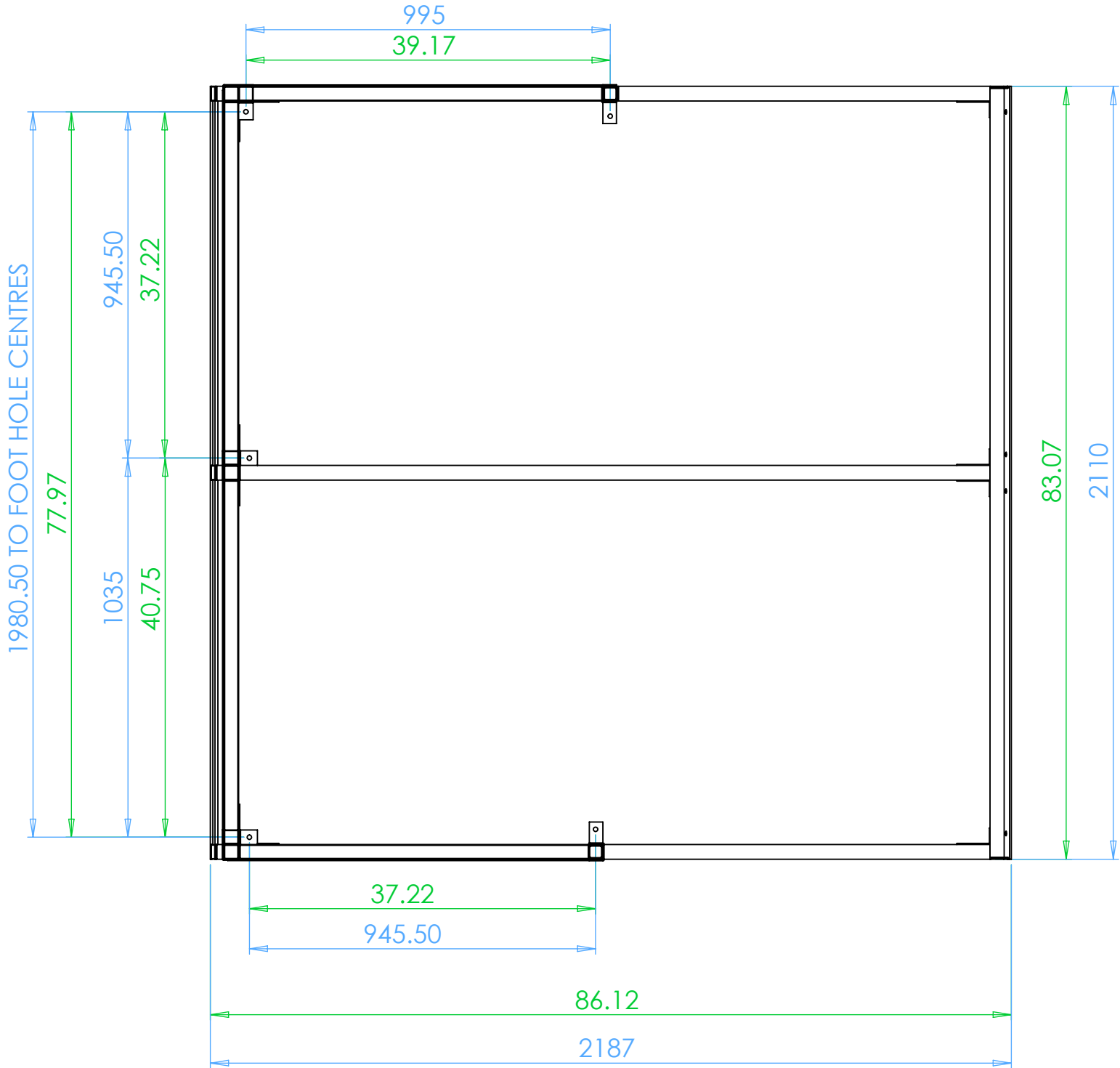


Step 4 Use **RC2** strips to cover the gap in the centre and the edges and screw them directly into the frame using **38mm TEC screws**. Finish of the shelter by attaching the **2MD** edge trim, then finally, fit the Black plastic caps on exposed nuts and bolts, and fit the square end caps (**EC40**) to any open ends of box sections.



Plan View

Suggested size for concrete base: 200mm/7.87in oversized on all four sides



Notes:

Notes:

Notes:

THANK YOU FOR PURCHASING THIS PRODUCT

MAINTENANCE:

To ensure your products give you many years of use we recommend that you:

- Clean panels regularly with soapy water
- Ensure all fittings are tight (for example after a big storm)
- Touch up any exposed metal should it get scratched

CONTACT DETAILS:

Email : Sales@nobutts.com

Web : www.nobutts.com

Tel : 1-888-662-8887

No Butts Bin Company, Inc. 16 Birch Lane, Madison, CT 06443

All Parts and Fixings checked by:	
Print Name:	Signature: