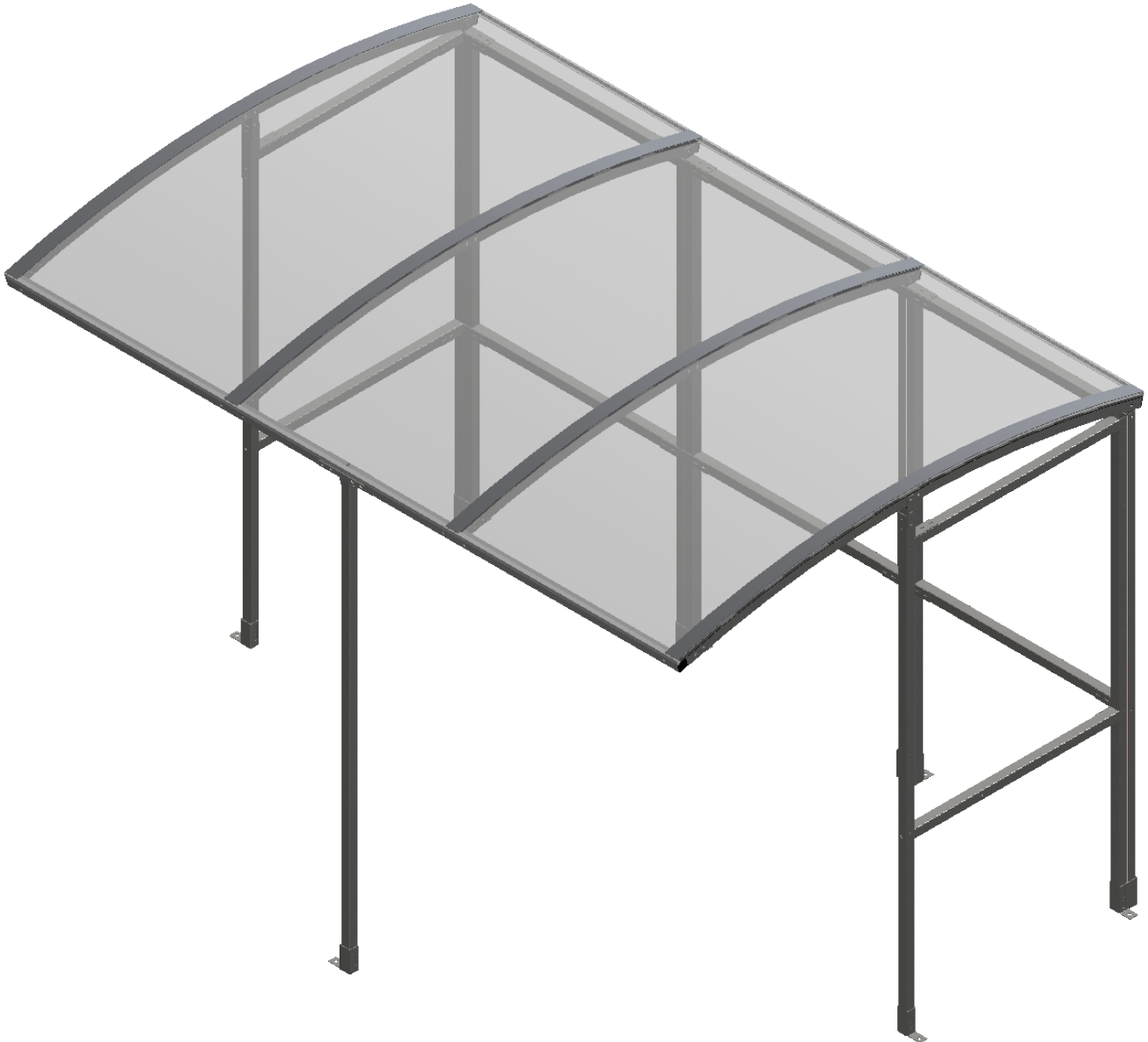


Assembly Instructions



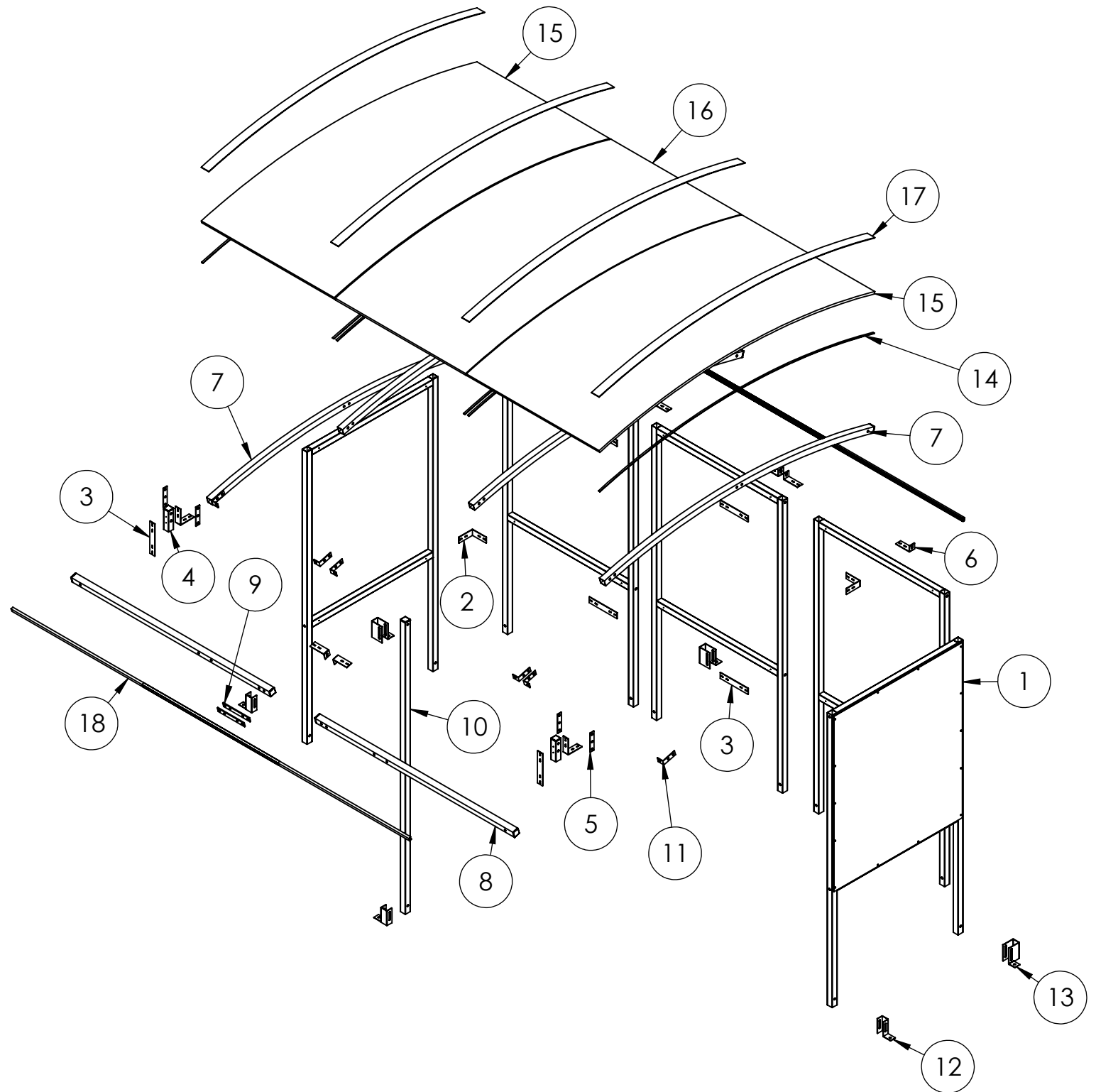
No Butts Bin Co.
Better Ash & Trash Solutions
Est. 1991

Email : Sales@nobutts.com
Web : www.nobutts.com
Tel : 1-888-662-8887

Shelter type: SR1605

SR1605-05-150219-USA

EXPLODED VIEW



Tools required:



Drill/Screwdriver



Spanner



Mallet




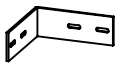
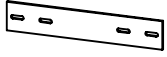




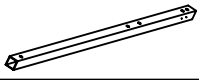
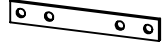

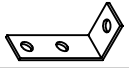

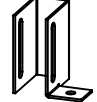



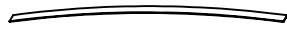
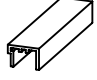

Torx bit







Hack saw



PARTS LIST

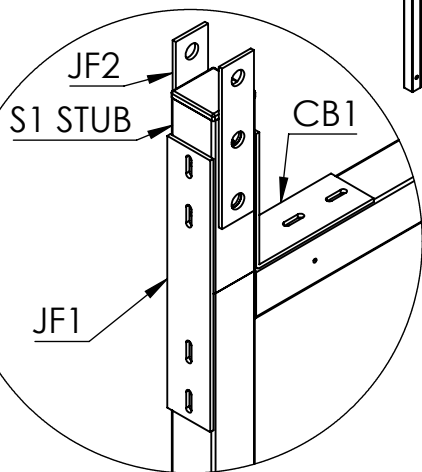
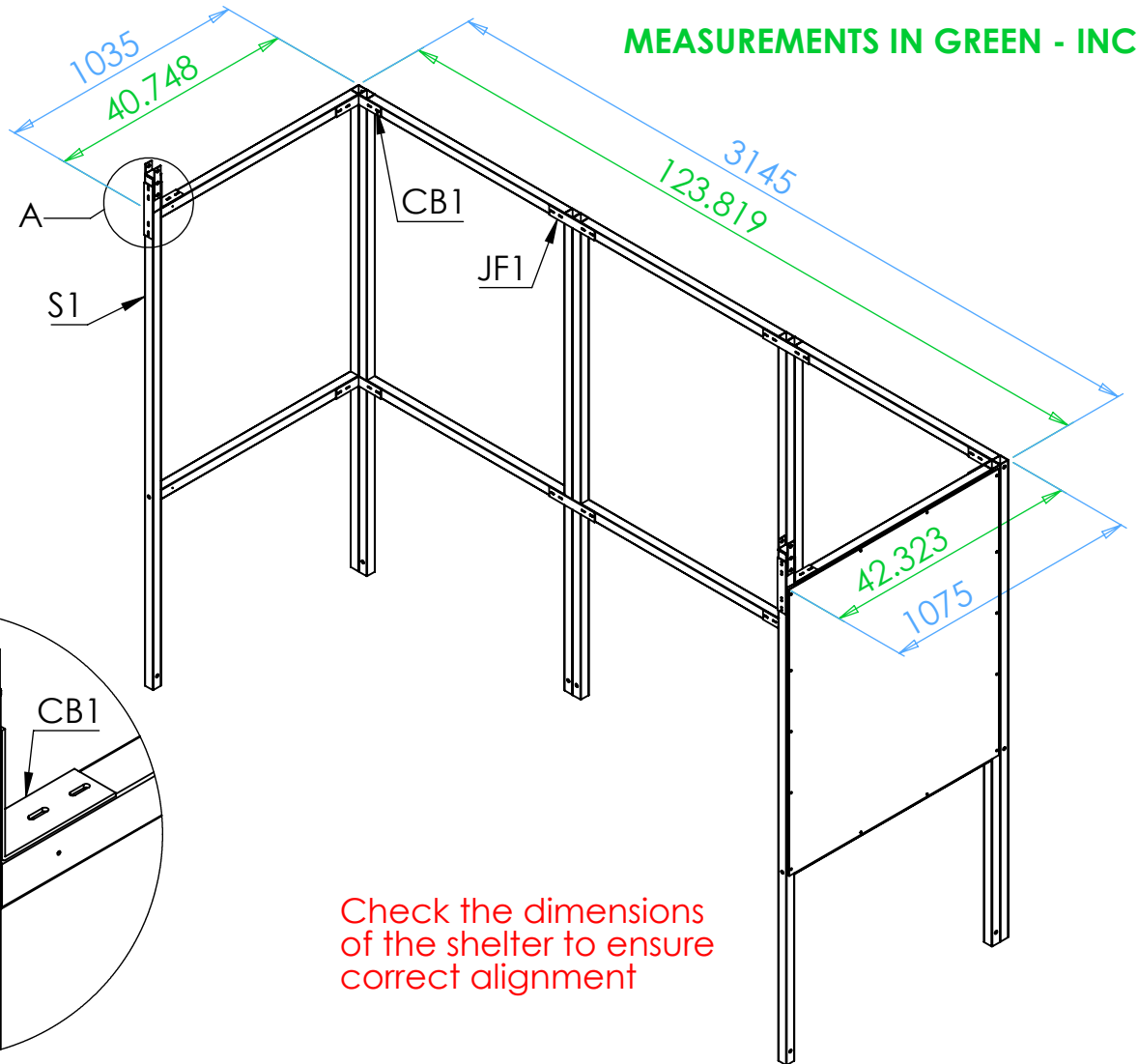
ITEM NO.	PART NO.	DESCRIPTION	DIMENSION (MM)	DIMENSION (INCHES)	IMAGE	QTY.
1	S1	FRAME	2000 x 1035	78.74 x 40.55		5
2	CB1	CORNER BRACKET	110 x 110	4.33 x 4.33		6
3	JF1	PLATE/BRACKET	130 x 30 x 3	8.66 x 1.57		6
4	S1 STUB	STUB	140 x 40 x 40	5.51 x 1.57 x 1.57		2
5	JF2	PLATE/BRACKET	130 x 30	5.12 x 1.18		4
6	RB1	BRACKET	110x46x40	4.33 x 1.18		8
7	R4	RAFTER	2159 x 40 x 40	85.04 x 1.57 x 1.57		4
8	ST9	ROOF TIE	1562x40x40	61.50 x 1.57 x 1.57		2
9	JF3	PLATE/ BRACKET	210 x 30	8.66 x 1.18		2
10	P4	POST	1995 x 40 x 40	78.54 x 1.57 x 1.57		1
11	L1	BRACKET	95 x 45 x40	3.74 x 1.77		6
12	FT1	FOOT BRACKET	109 x 100 x 40	4.29 x 3.93 x x1.57		3
13	FT3	FOOT BRACKET	109 x 100x 80	4.29 x 3.93 x 3.27		4
14	SS	SEALING STRIP	TRIM TO FIT	TRIM TO FIT		3 ROLLS
15	PCE2	ROOF PANEL	2220 x 1050	87.40 x 41.34		2
16	PCC2	ROOF PANEL	2220 x 1030	87.40 x 40.55		1
17	RC2	ROOF STRIP	2180	85.83		4
18	2MD	ROOF EDGE TRIM	TRIM TO FIT	TRIM TO FIT		4
19	EC40	PLASTIC END CAP	40 x 40	1.57 X 1.57		14

Fittings	Bolt set M10	Nut	Washer	Black Cap	T25	T38	AB1210
	M10 X 60mm				25mm Tech screw	38mm Tech screw	M10 x 100mm Concrete Bolt
Pack A+B Required	40	40	80	80	136	66	13
	39	39	78	78	64	40	7
Image							

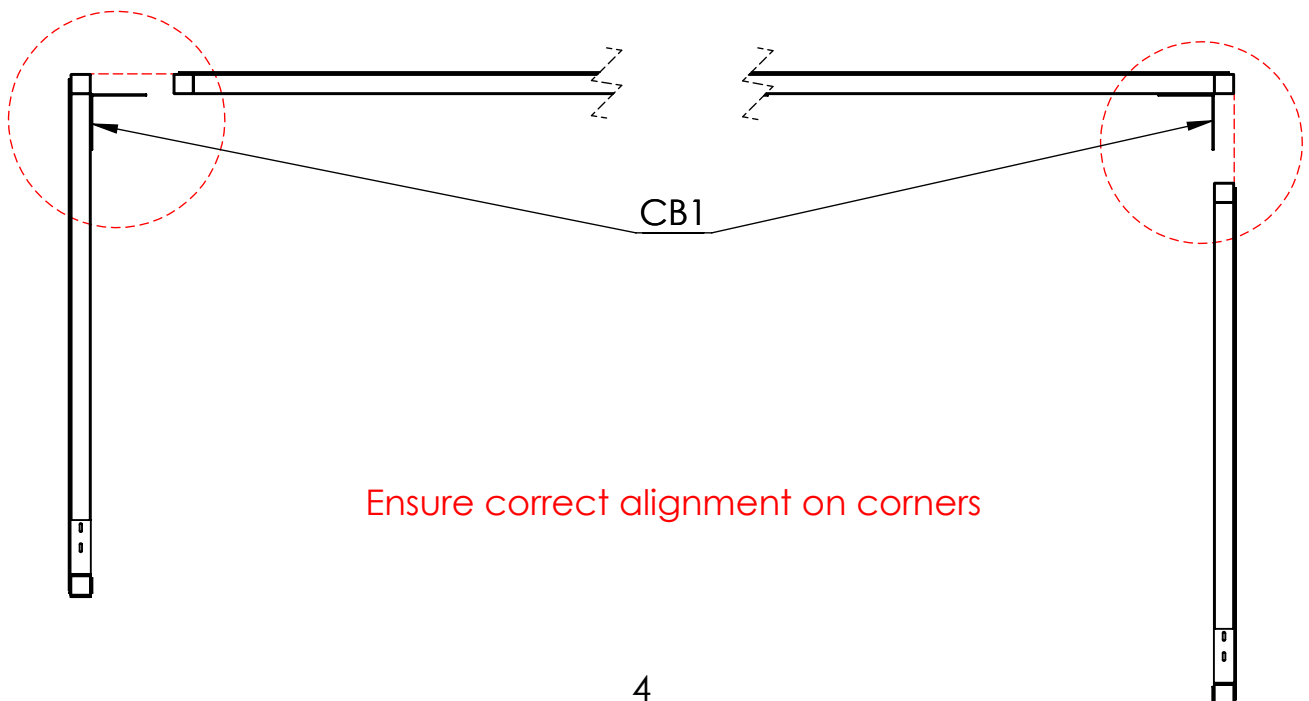
Step 1 Assemble **S1** frames to make up the main structure using **CB1** brackets in the corners and **JF1** brackets on the straight joints. Attach the **S1 stub** as shown using **JF1**, **CF1** and **JF3** brackets.

MEASUREMENTS IN BLUE - MM

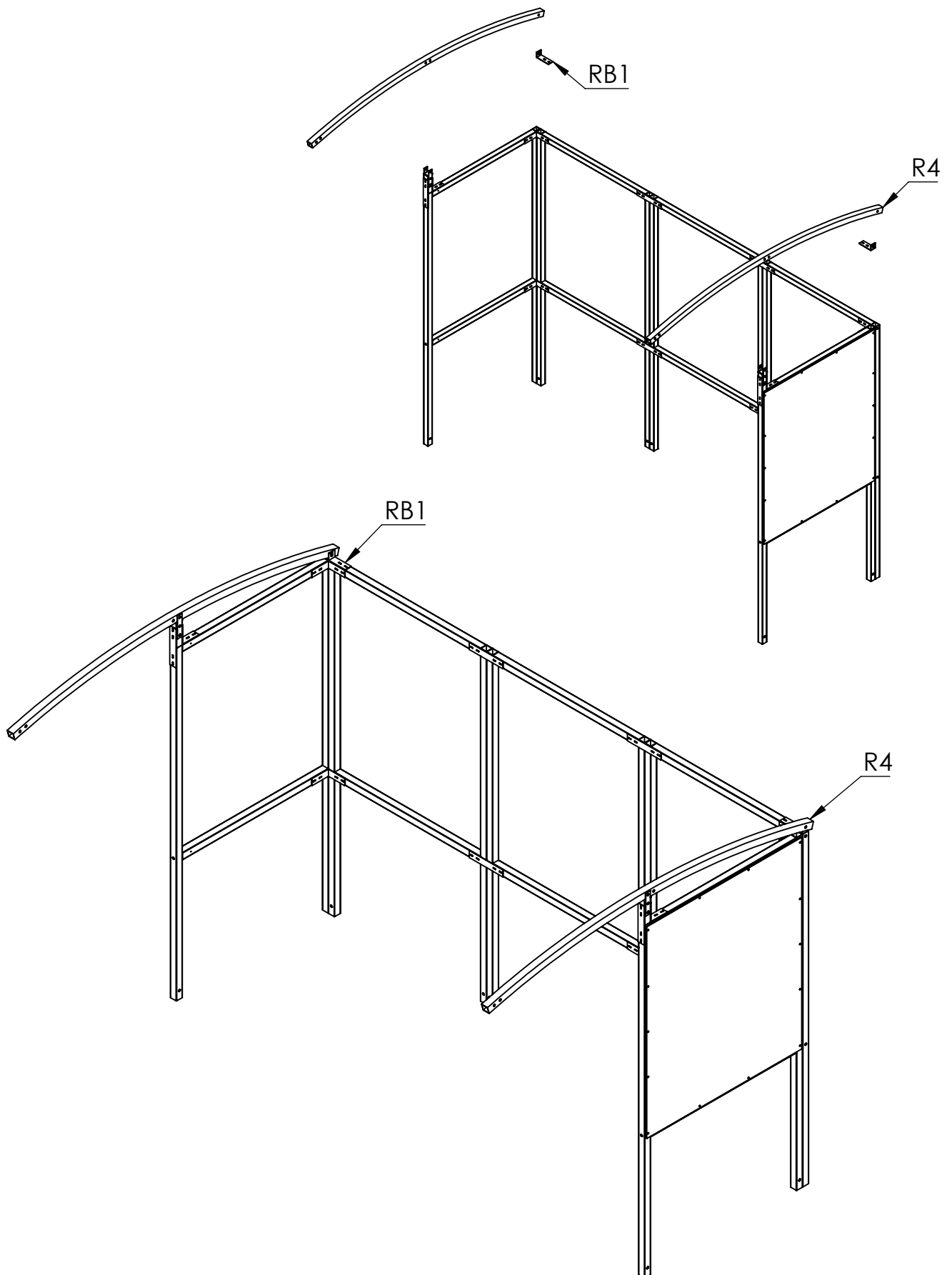
MEASUREMENTS IN GREEN - INCHES



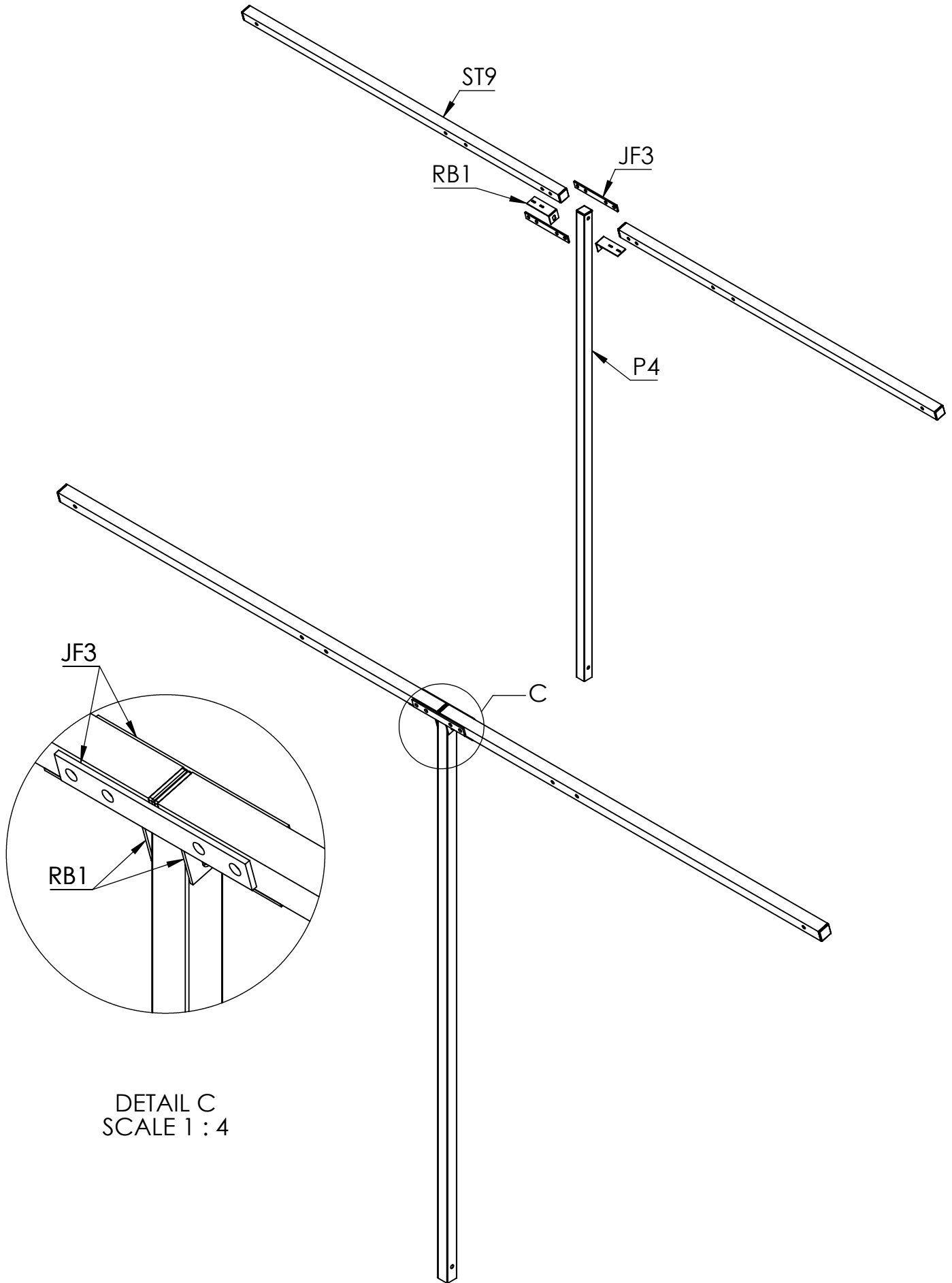
DETAIL A
SCALE 1 : 5



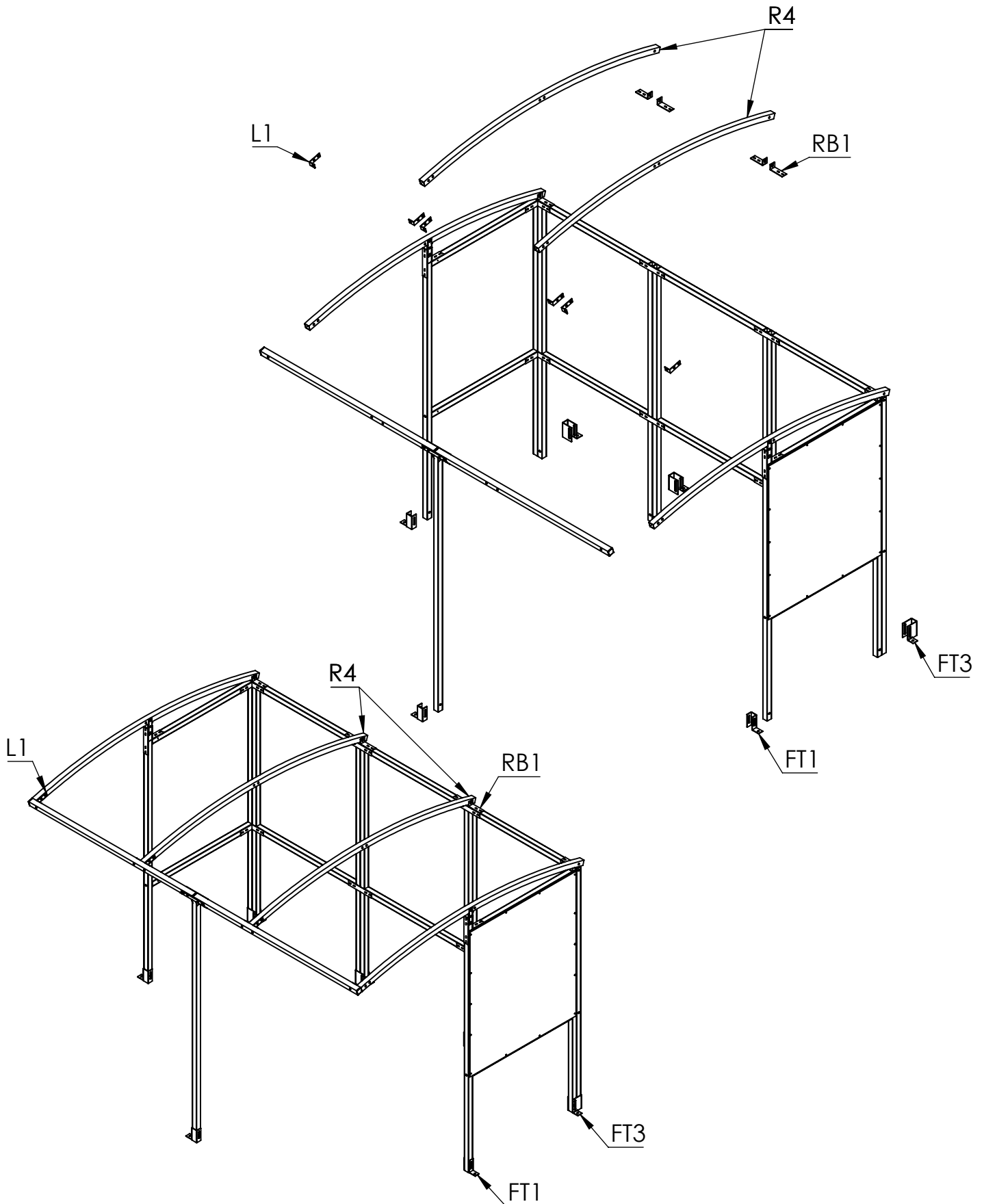
Step 2 Attach first **R4** rafters using **RB1** brackets on the back of the shelter and **S1** stubs in the middle.



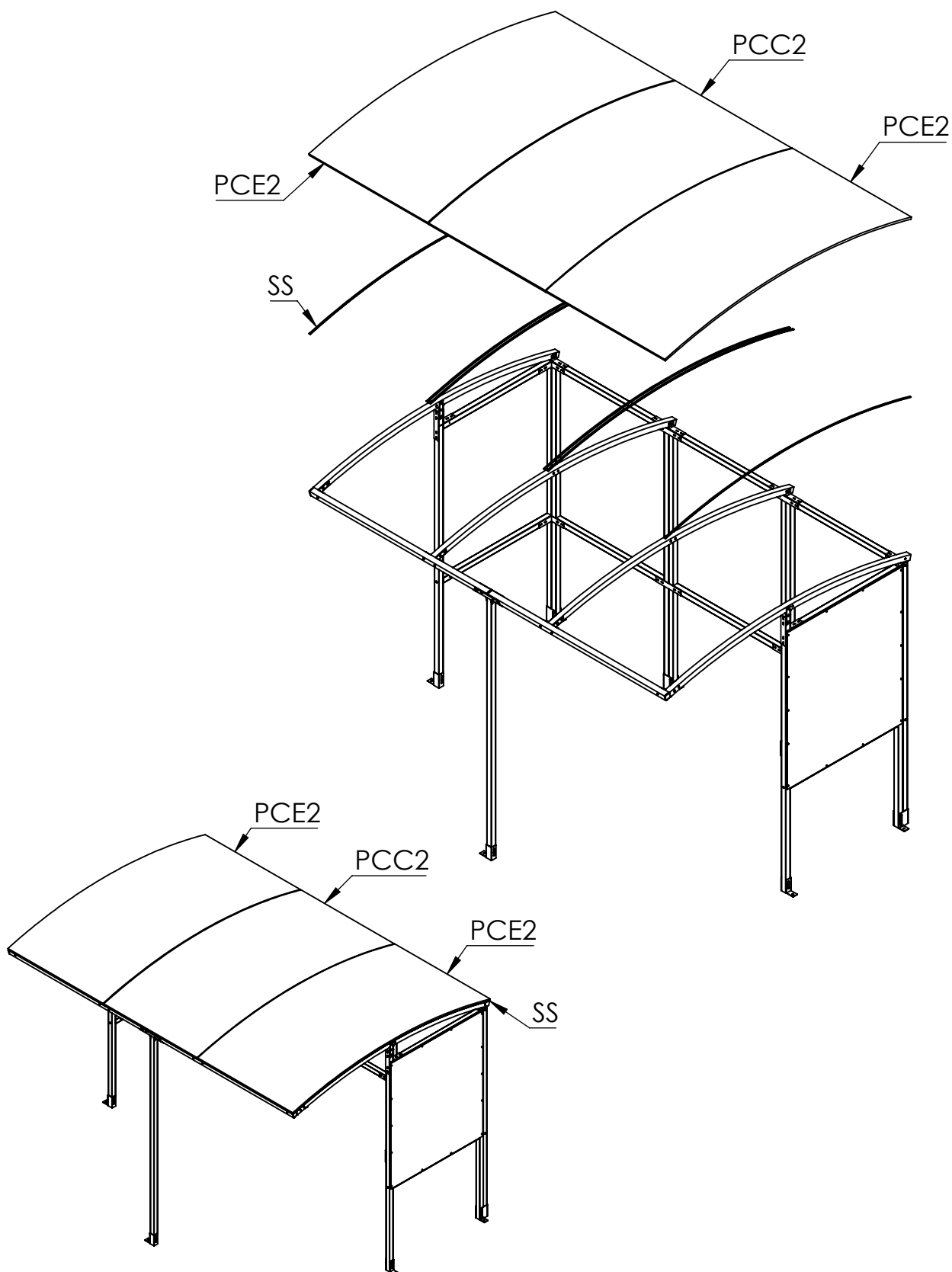
Step 3 Assemble the **T-frame** using two **ST9** tie bars and a **P4** post. Join the two **ST9** bars together first using **JF3** brackets, then attach the **P4** post using two **RB2** brackets.



Step 4 Use **L1** brackets to attach the T-bar to the front of the shelter and install the remaining **R4** rafters using **RB1** brackets on the rear and **L1** brackets at the front. Attach the **FT1** and **FT3** brackets and move the shelter in to its final position before using anchor bolts to secure it to the ground.

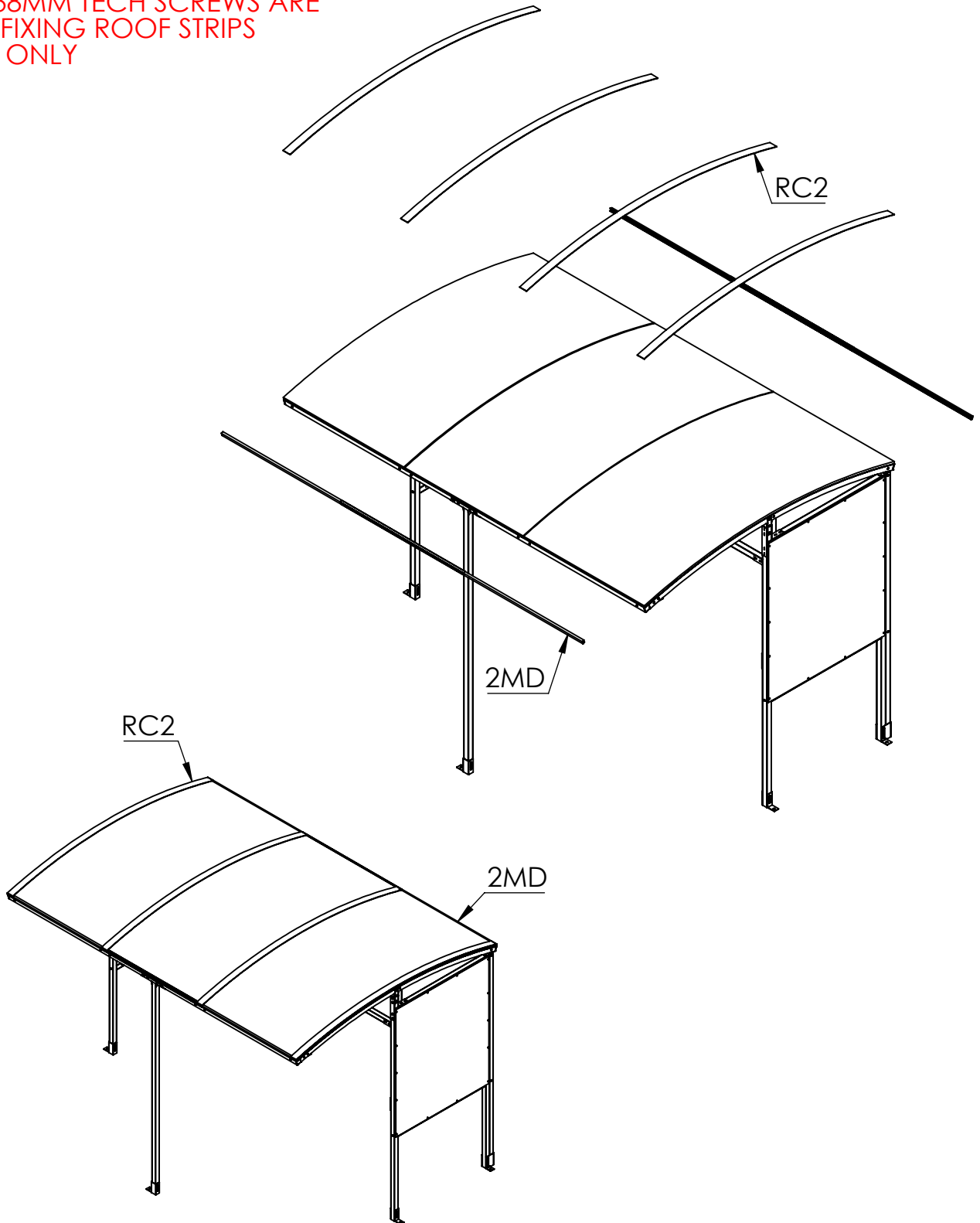


Step 5 Stick sealing strips (**SS**) to the rafters and align the **PCE2** panels to the outside of the shelter and centralise the **PCC2** panel in the centre.



Step 6 Screw down the **RC2** strips directly into the rafter with the **38mm TEC screws** to secure the roof panels. Next, clip on the **2MD** edge trim to the edges of the roof panels. Then fit the Black plastic caps on exposed nuts and bolts. Fit the square end caps (**EC40**) to any open ends of box sections.

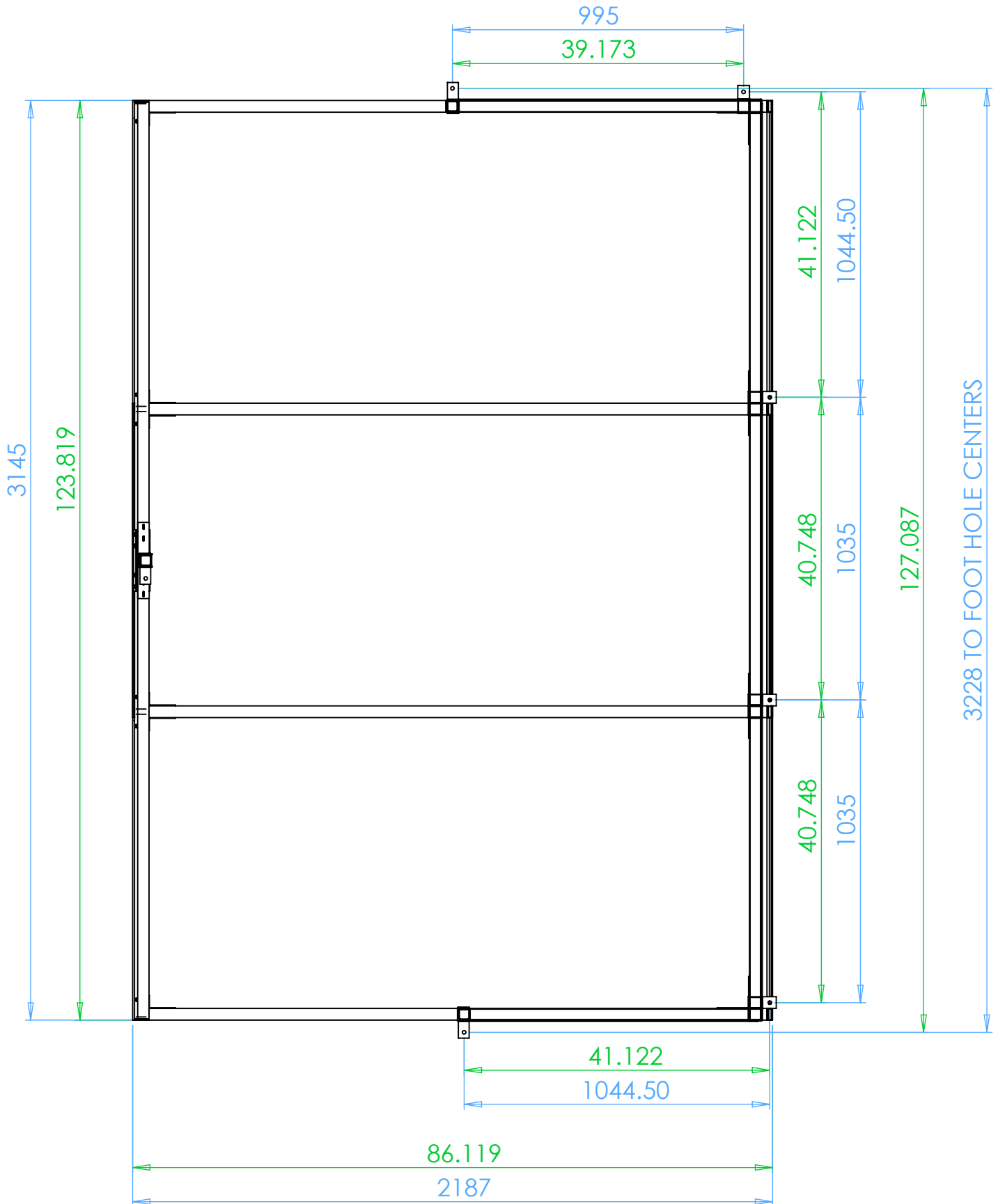
GENERAL NOTE:
THE 38MM TECH SCREWS ARE
FOR FIXING ROOF STRIPS
(RC) ONLY



Notes:

PLAN VIEW

OVERALL DIMENSIONS AND GROUND FIXING POSITIONS



Suggested size for concrete base:
200mm / 7.87in oversized on all sides

THANK YOU FOR PURCHASING THIS PRODUCT

MAINTENANCE:

To ensure your product gives you many years of use we recommend that you:

- Clean panels regularly with soapy water
- Ensure all fittings are tight (for example after a big storm)
- Touch up any exposed metal should it get scratched

CONTACT DETAILS:

Email : Sales@nobutts.com

Web : www.nobutts.com

Tel : 1-888-662-8887

No Butts Bin Company, Inc. 16 Birch Lane, Madison, CT 06443

All Parts and Fixings checked by:	
Print Name:	Signature: