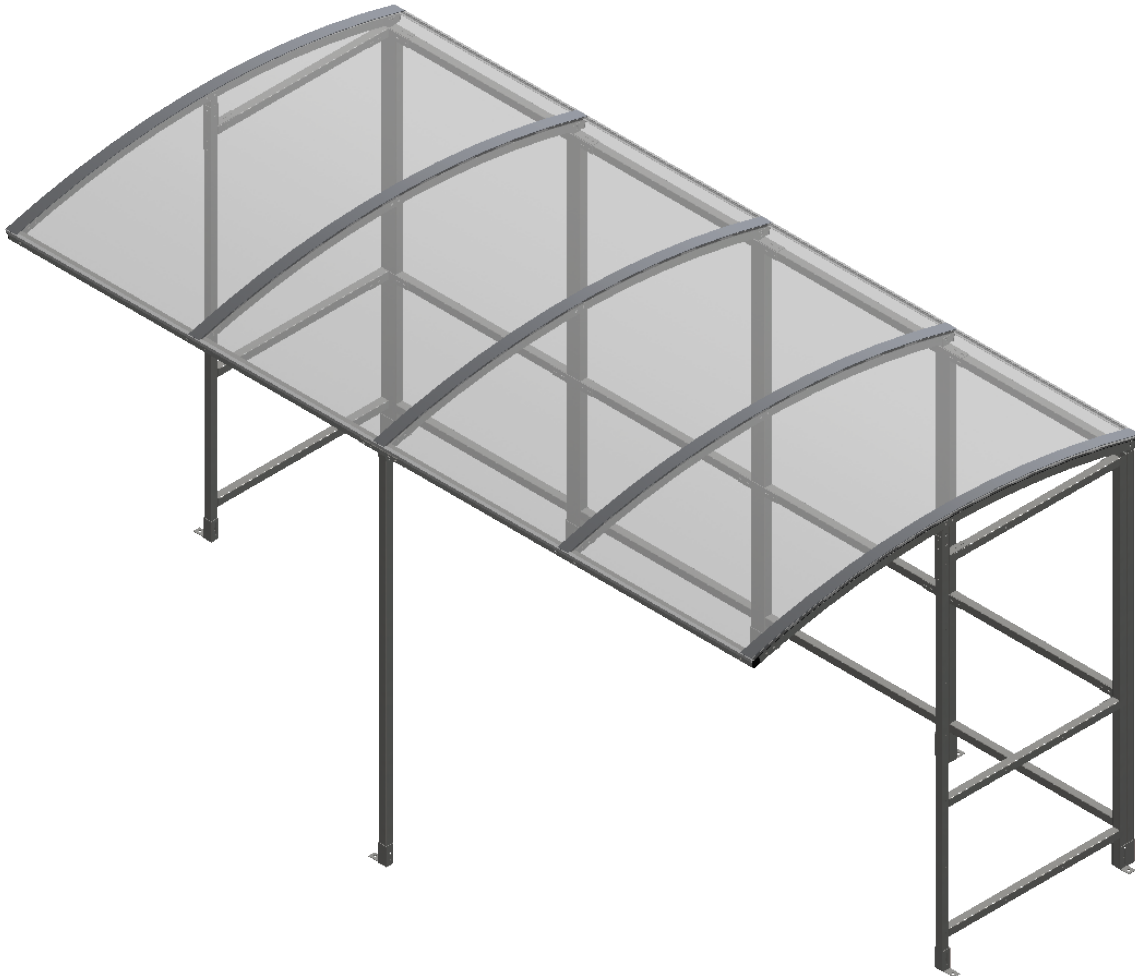


Assembly Instructions



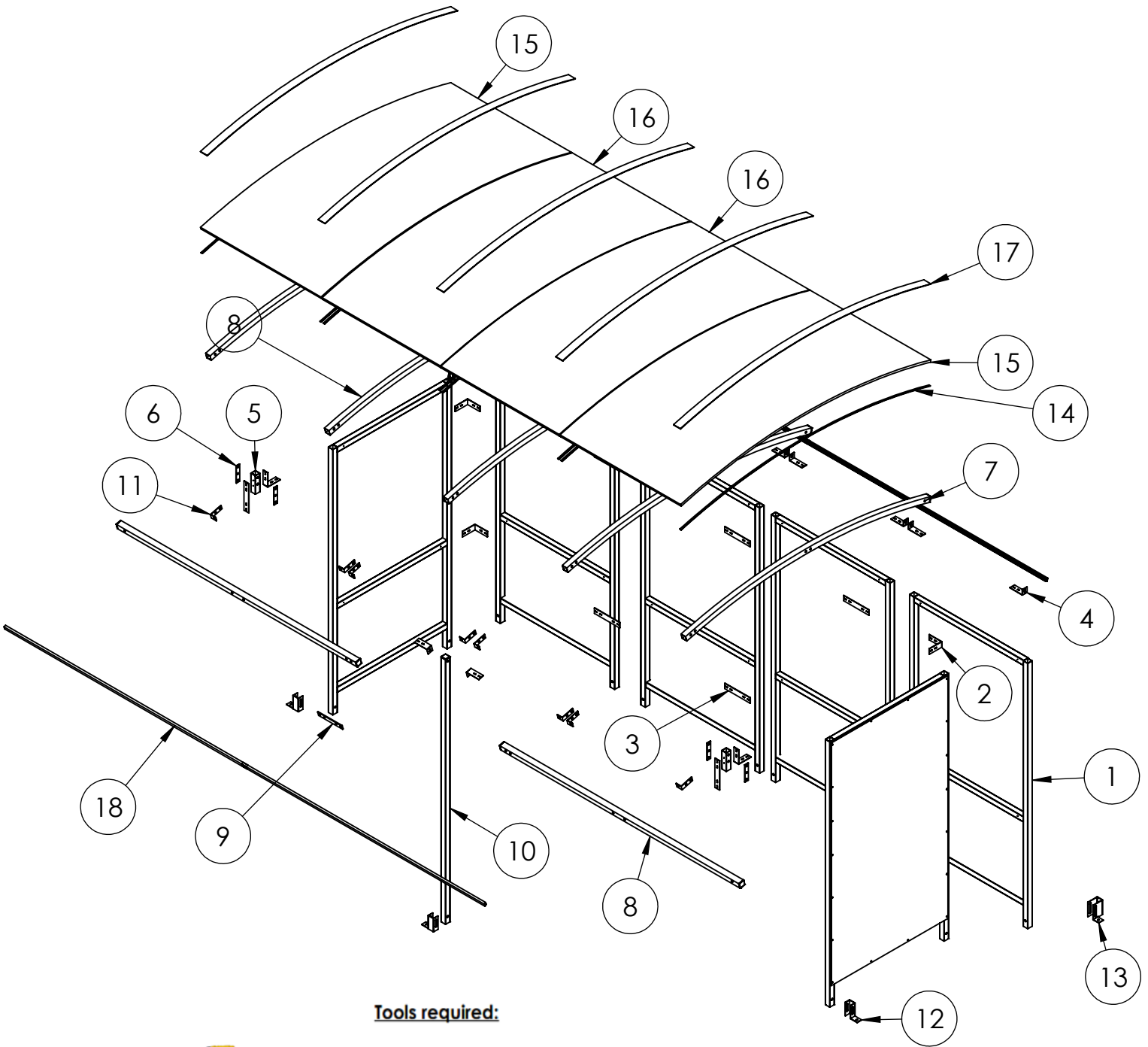
No Butts Bin Co.
Better Ash & Trash Solutions
Est. 1991

Email : Sales@nobutts.com
Web : www.nobutts.com
Tel : 1-888-662-8887






Shelter type: SR1606-F


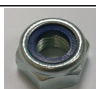





SR1606-F-02-15022019-USA

EXPLODED VIEW


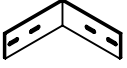
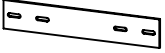
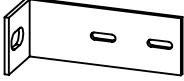
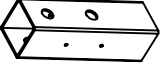



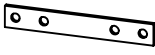
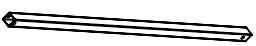

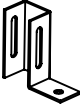
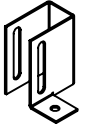



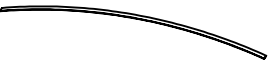
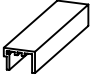



Tools required:

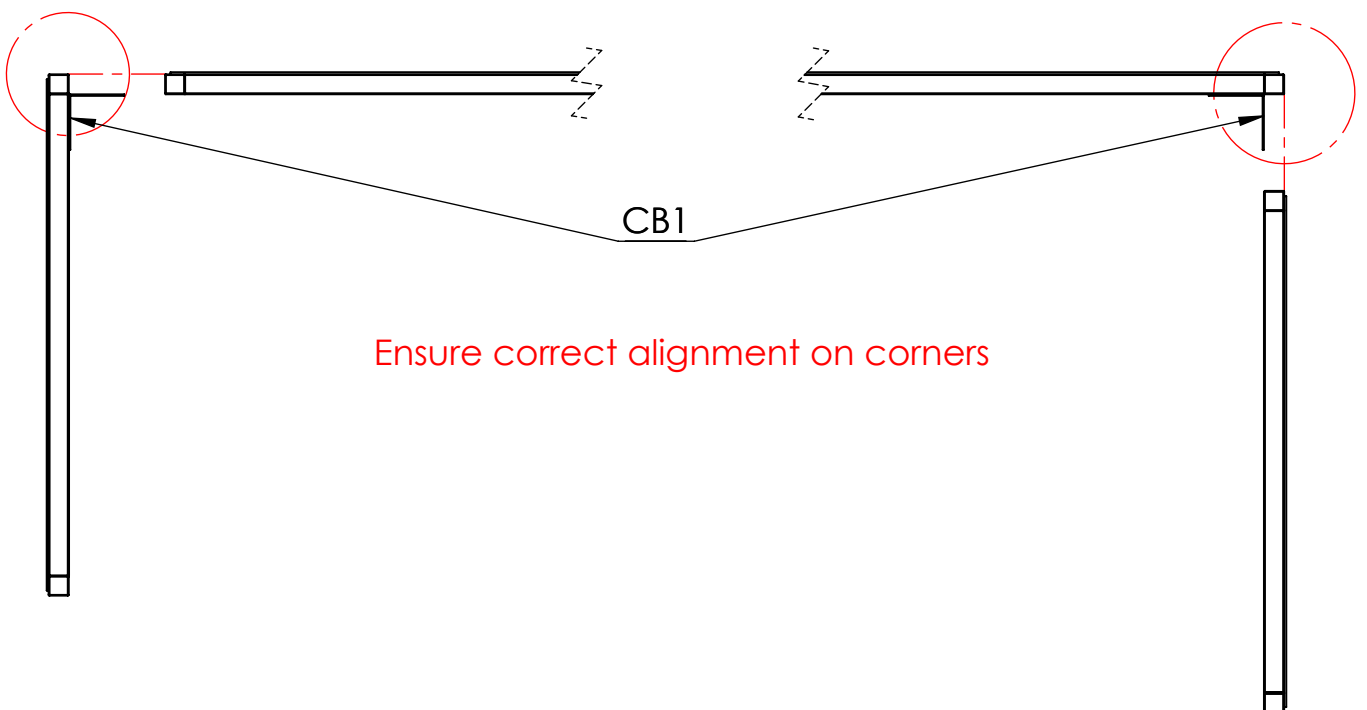
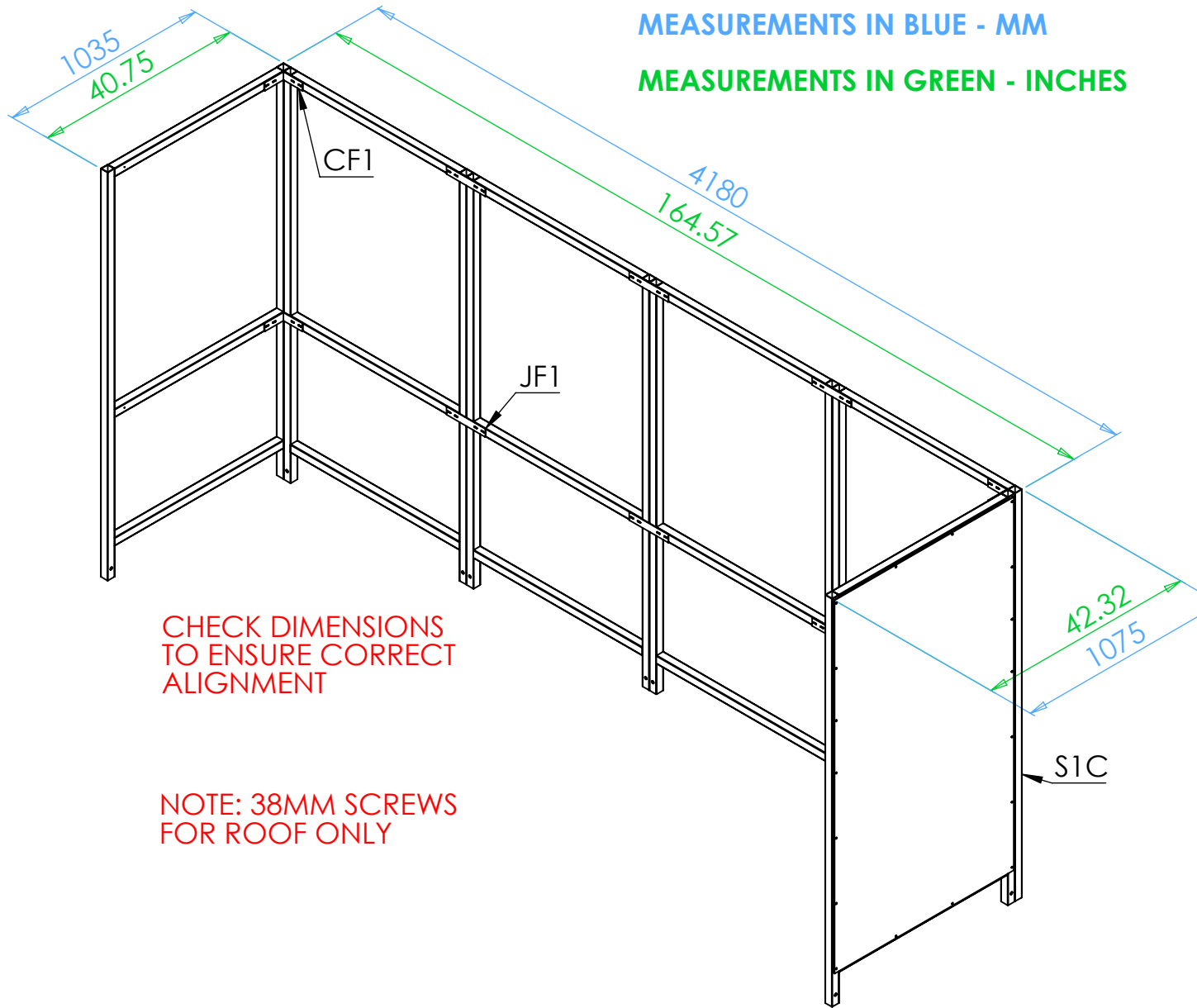
-  Drill/Screwdriver
-  Spanner
-  Mallet
-  Torx bit
-  Hack saw

Fittings	Bolt set M10				T25	T38	AB1210
	M10 x 60 mm	Nut	Washer	Black Cap	25mm Tech screw	38mm Tech screw	M10 x 100mm Concrete Bolt
Pack A+B	40	40	80	80	136	66	13
Required	40	40	80	80	76	55	8
Image							

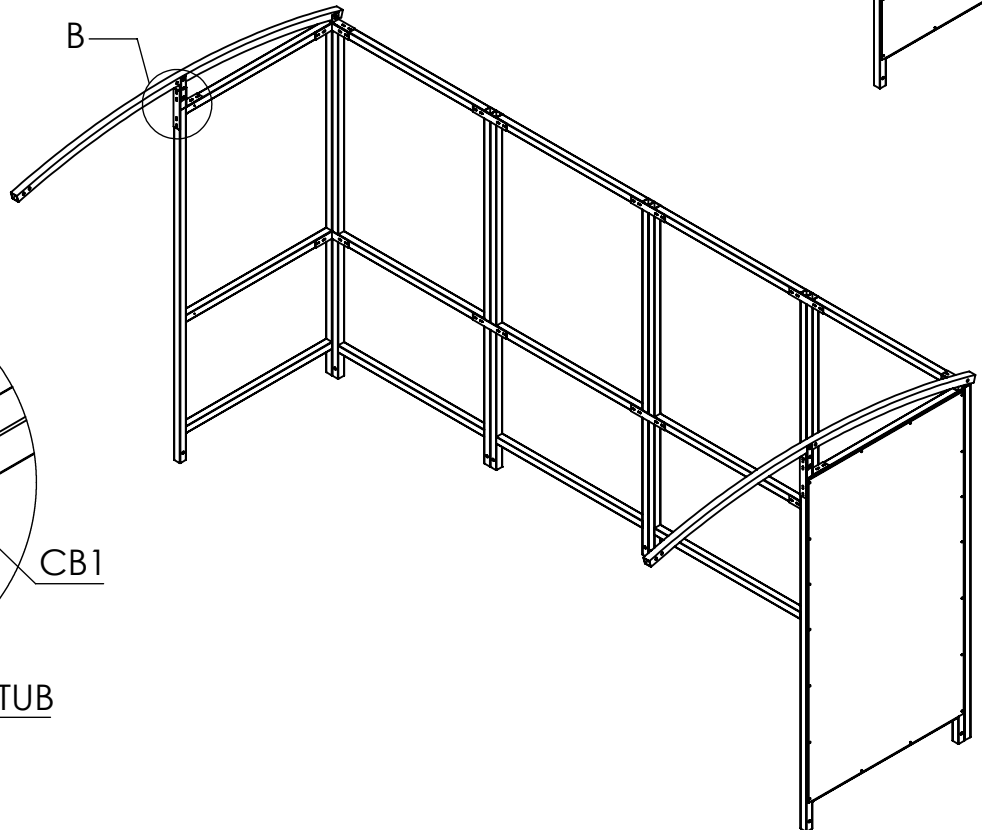
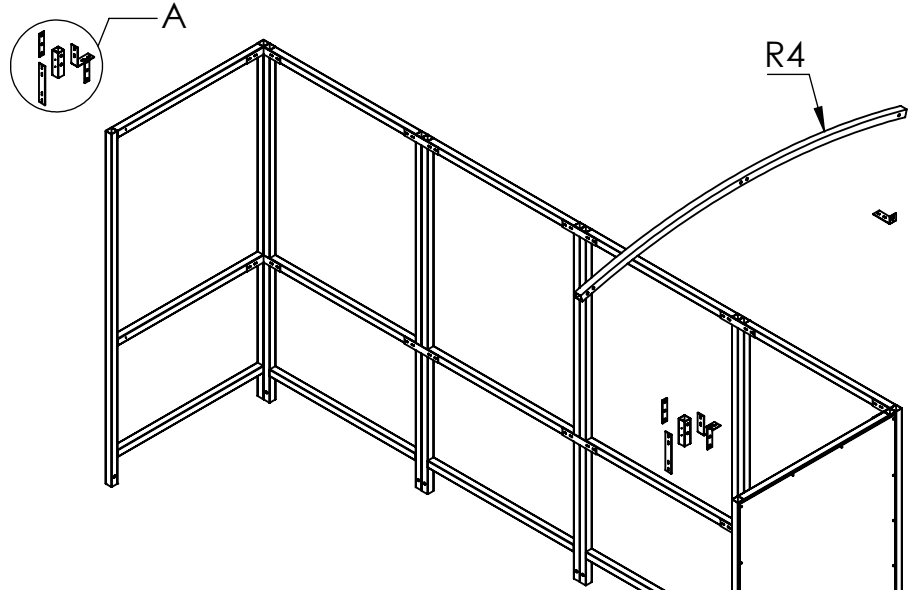
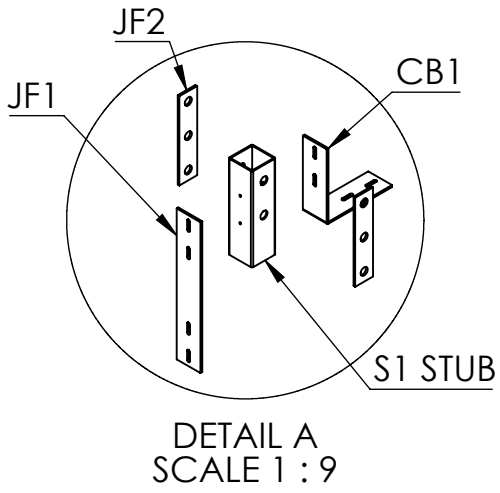
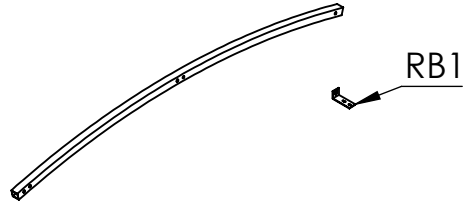
PARTS LIST

ITEM NO.	PART NO.	DESCRIPTION	DIMENSION (MM)	DIMENSION (INCHES)	IMAGE	QTY.
1	S1C	FRAME	2000 x 1035	78.74 x 40.55		6
2	CB1	BRACKET	110 x 110	4.33 x 4.33		6
3	JF1	BRACKET	220 x 40	8.66 x 1.57		8
4	RB1	BRACKET	110 x 42	4.33 x 1.81		10
5	S1 STUB	STUB	140 x 40 x 40	5.51 x 1.57 x 1.57		2
6	JF2	BRACKET	130 x 30	5.12 x 1.18		4
7	R4	RAFTER	2160 x 40 x 40	85.04 x 1.57 x 1.57		5
8	ST4	ROOF TIE	2080 x 40 x 40	81.89 x 1.57 x 1.57		2
9	JF3	BRACKET	210 x 30	8.66 x 1.18		1
10	P4	POST	1995 x 40 x 40	78.54 x 1.57 x 1.57		1
11	L1	L BRACKET	95 x 45	3.74 x 1.77		8
12	FT1	FOOT BRACKET	109 x 100 x 40	4.29 x 3.93 x 1.57		3
13	FT3	FOOT BRACKET	109 x 100 x 80	4.29 x 3.93 x 3.27		5
14	SS	SEALING STRIP	TRIM TO SUIT	TRIM TO SUIT		4 Rolls
15	PCE2	ROOF PANEL	2220 x 1050	87.40 x 41.34		2
16	PCC2	ROOF PANEL	2220 x 1030	87.40 x 40.55		2
17	RC2	ROOF STRIP	2180	85.83		5
18	2MD	ROOF TRIM	TRIM TO FIT	TRIM TO FIT		5
19	EC40	ENDCAP	40 x 40	1.57 x 1.57		14

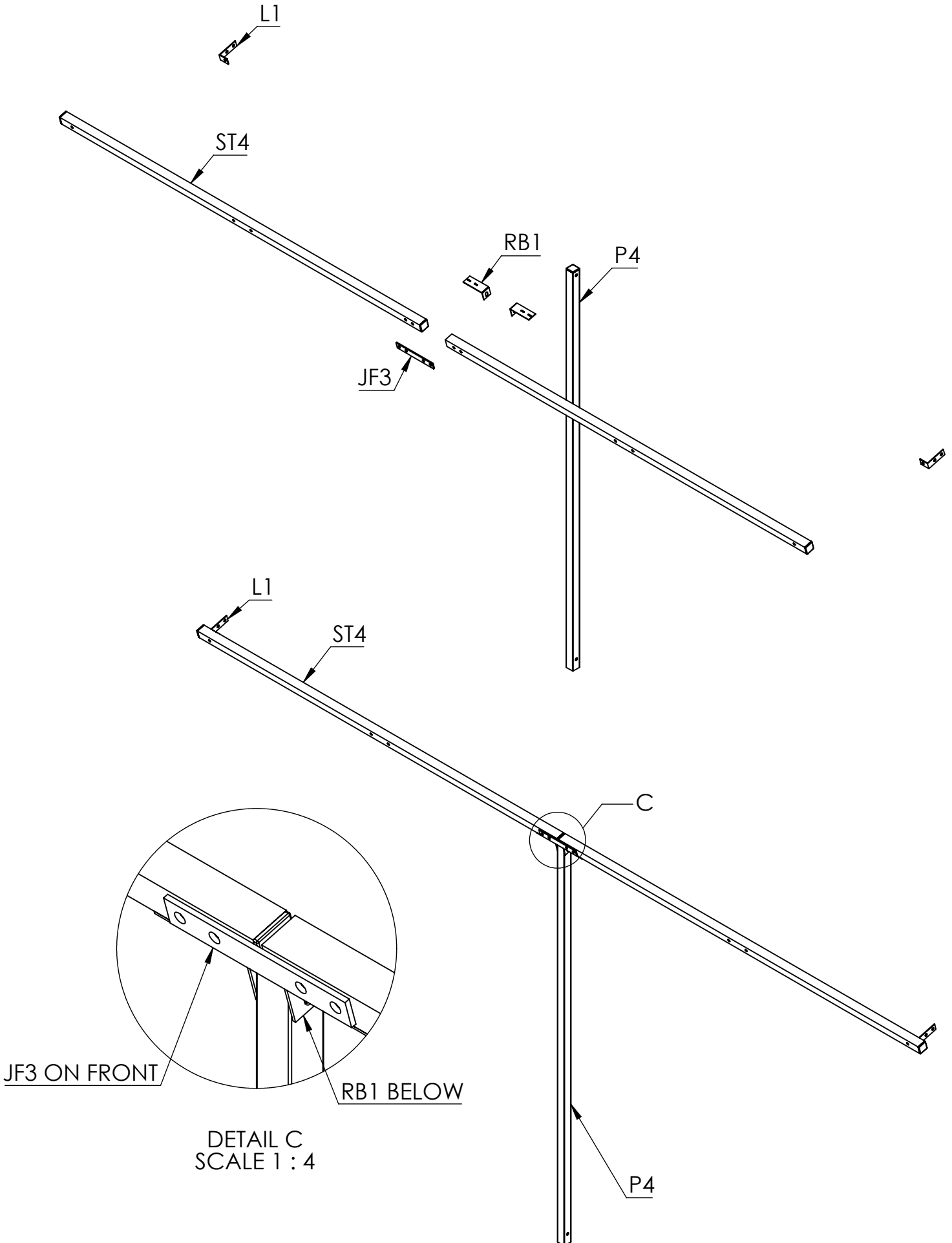
Step 1 Assemble **S1C** frames to make up the main structure using **CB1** brackets for the corners and **JF1** brackets for the straight joints.



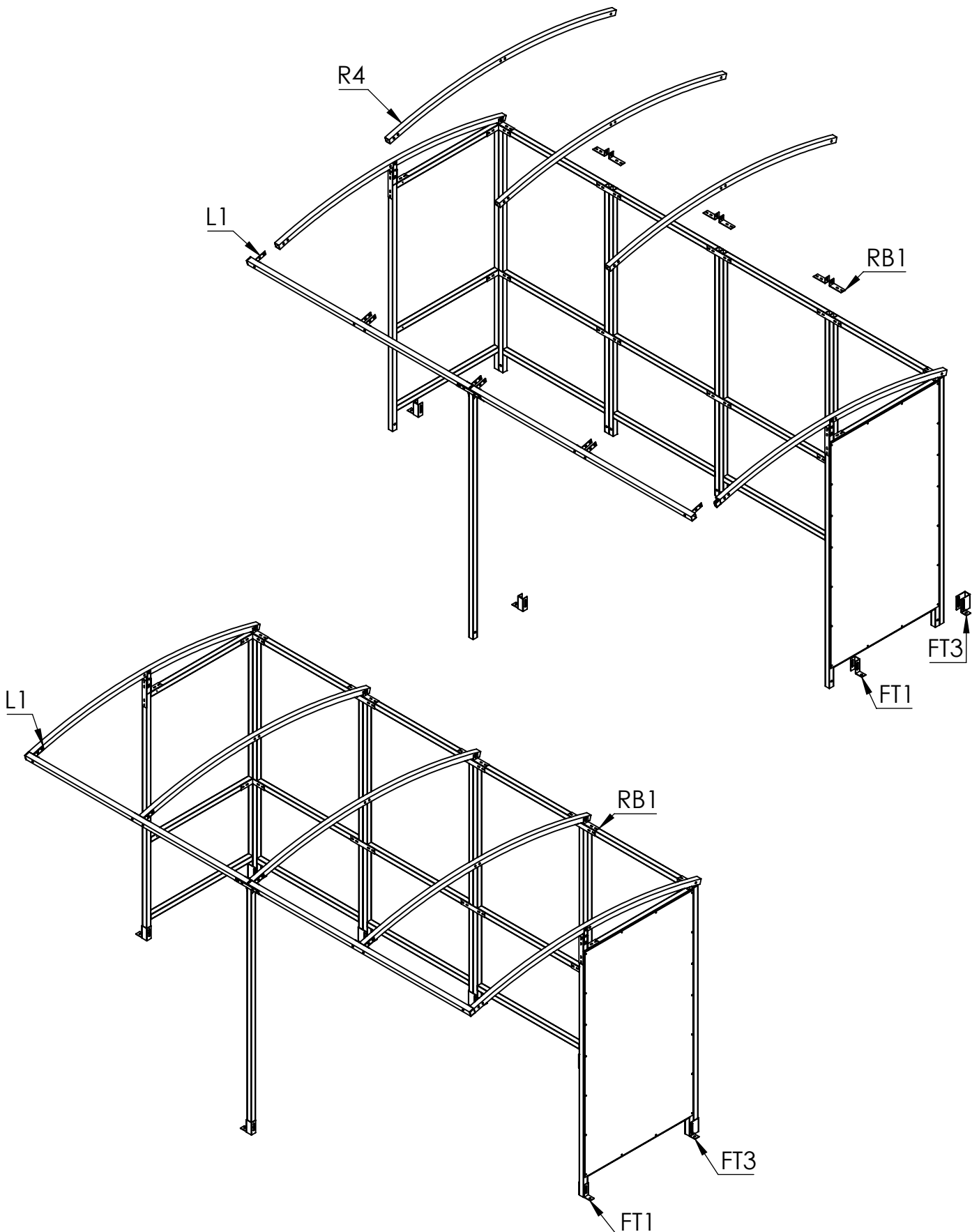
Step 2 Attach the **S1 stubs** to the front of the frame using **CB1**, **JF1** and **JF3** brackets, then bolt the **R4** rafters into place using the **RB1** brackets and the stubs



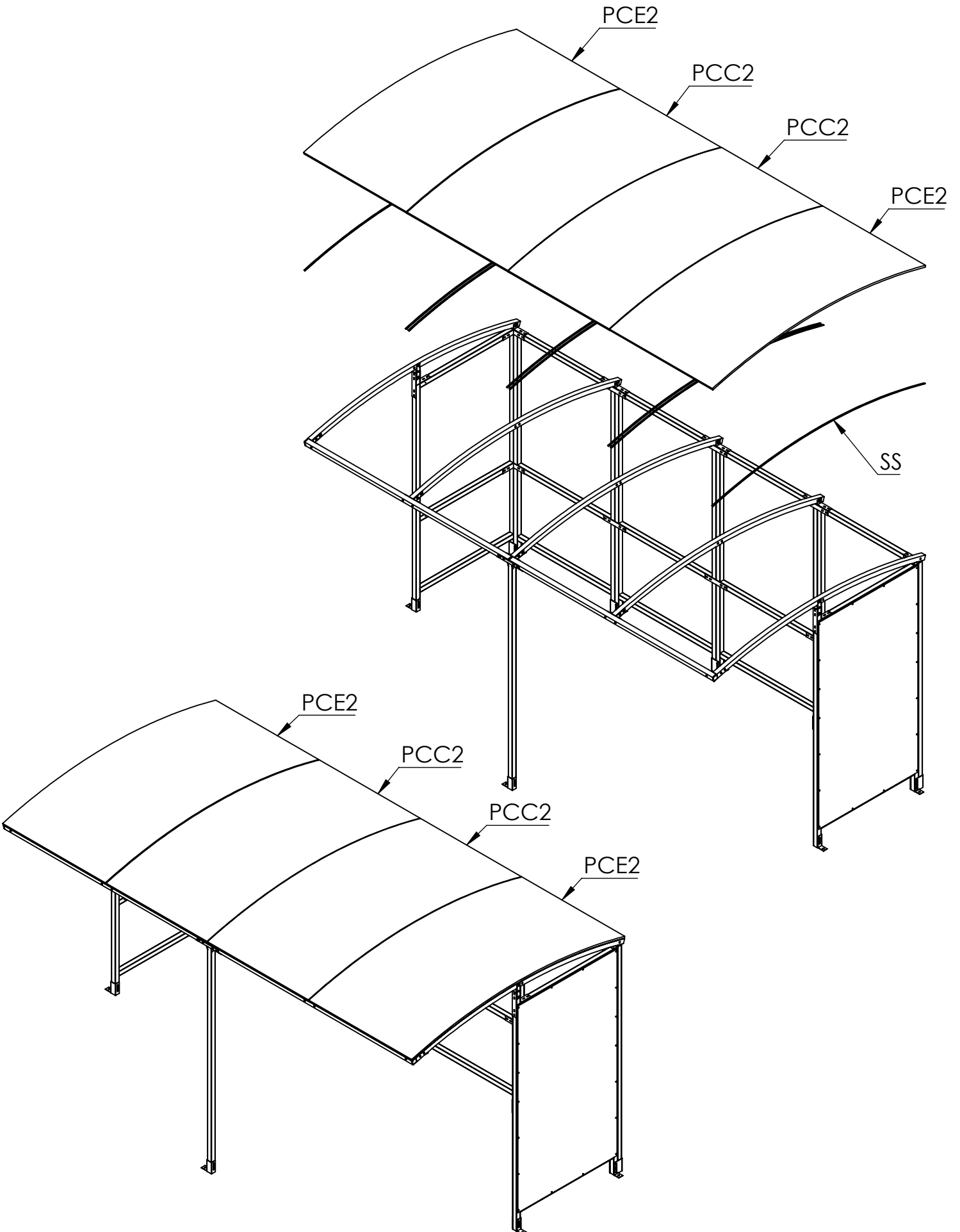
Step 3 Assemble the T-section by joining the two **ST4** tie bars using a **JF3** bracket then join the **P4** post using two **RB1** brackets and attach a **L1** bracket to each end.



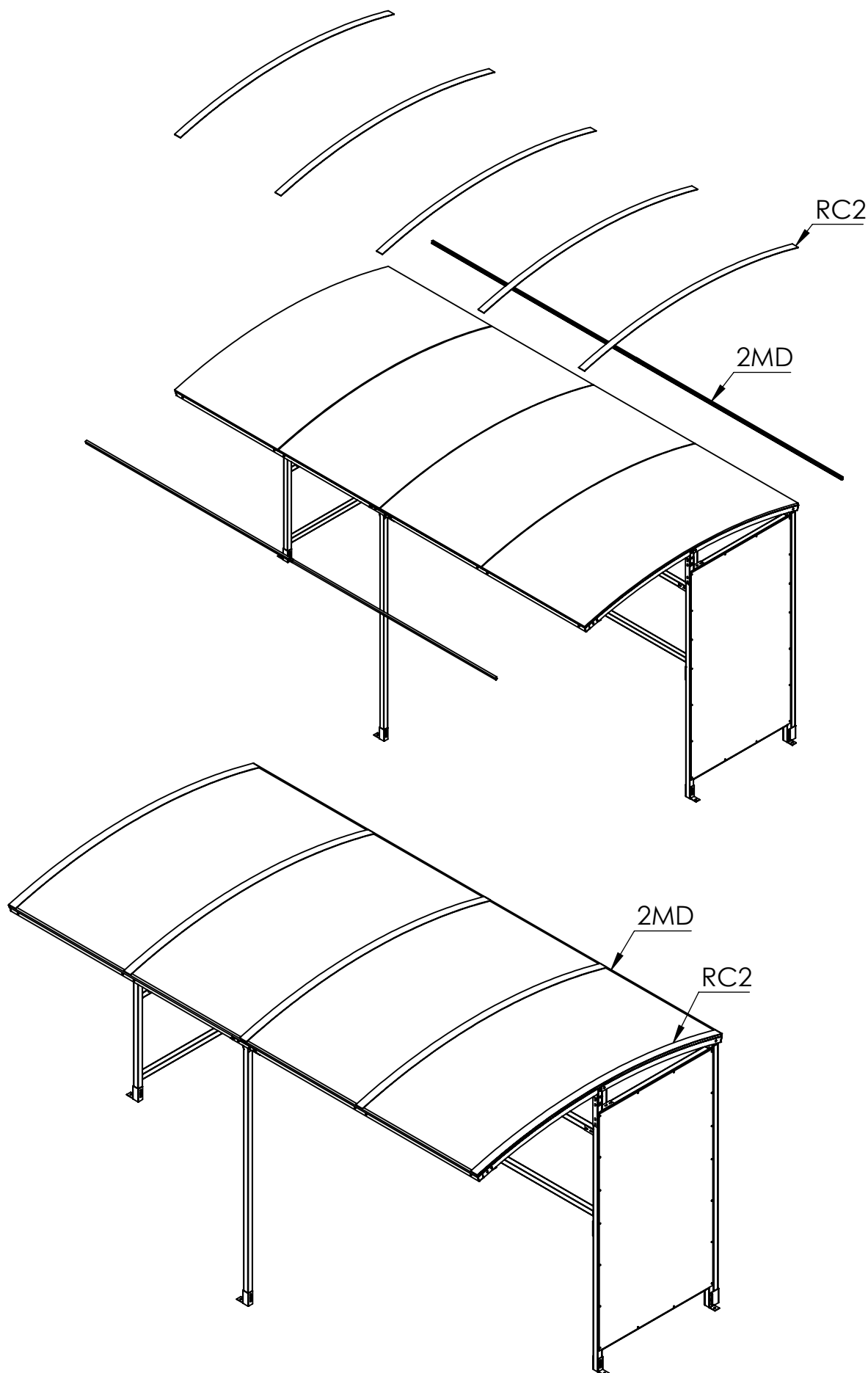
Step 4 Attach the T-section to the shelter, then fix the **R4** rafters in place using more **RB1** brackets on the rear and **L1** brackets on the front. Bolt the **FT1** and **F3** brackets to the shelter and move it to its final position before using anchor bolts to secure it to the ground.



Step 5 Stick the sealing strips (**SS**) to the rafters and line up the **PCE2** panels with the outside of the shelter then equally space the **PCC2** panels in the gap.



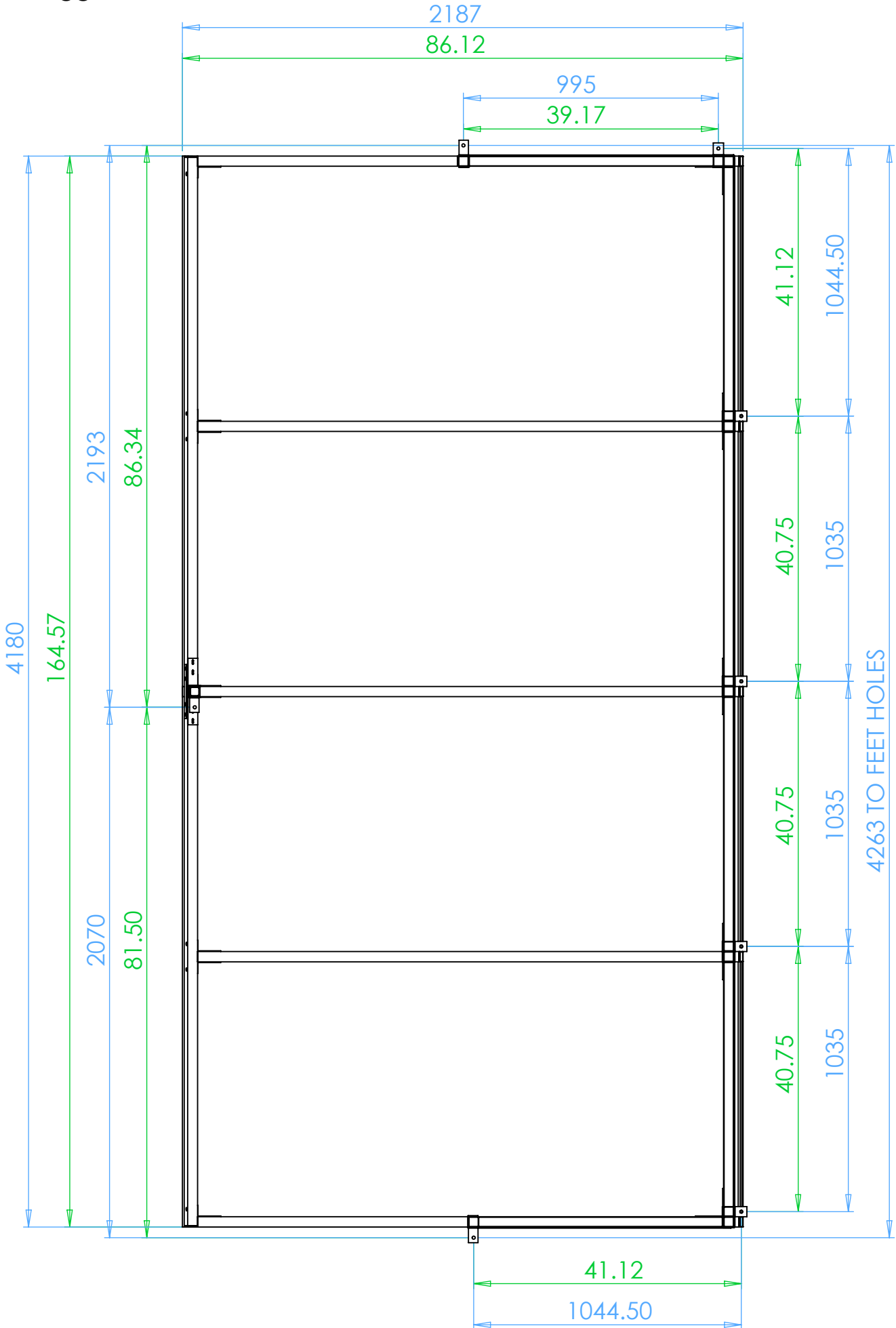
Step 6 Screw down the **RC2** strips into the rafter with the **38mm tech screws** to secure the roof panels and push the **2MD** end caps on the bottom of the panels.



PLAN VIEW

OVERALL DIMENSIONS AND GROUND FIXING POSITIONS

Suggested size for concrete base: 200mm/7.87in oversized on all four sides.



Notes:

THANK YOU FOR PURCHASING THIS PRODUCT

MAINTENANCE:

To ensure your products give you many years of use we recommend that you:

- Clean panels regularly with soapy water
- Ensure all fittings are tight (for example after a big storm)
- Touch up any exposed metal should it get scratched

CONTACT DETAILS:

Email : Sales@nobutts.com

Web : www.nobutt.com

Tel : 1-888-662-8887

No Butts Bin Company, Inc. 16 Birch Lane, Madison, CT 06443

All Parts and Fixings checked by:	
Print Name:	Signature: