



safestor™

Product code: HMC1

- » Hazardous storage cupboard for storing flammables or chemicals.
- » Liquid-tight sump to contain spillages.
- » Adjustable feet ensures unit remains level on uneven ground.



Product features



COSH compliant



Sump capacity



UDL per shelf



Fire resistant



Safety signage



Cam lock

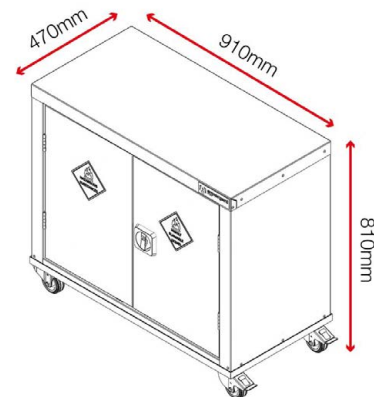


Standard 80mm castors

Product specifications

Weight	26kg
Colour	Traffic yellow: RAL 1023
Suitable for	Indoor storage of flammables or chemicals
Finished coating	Powder coated
Material & thickness	0.9mm steel
Quantity of keys	2 keys
How are castors fitted?	Bolted on
Other sizes available	8 other sizes
Ventilation	No
Qty of shelves as standard	1 shelf

Dimensions - External dimensions includes protrusions



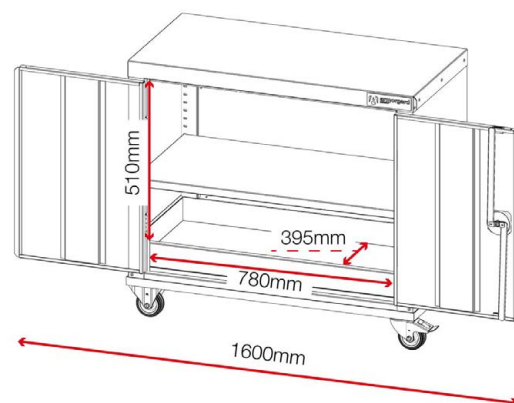
Optional extras - Contact Armorgard to find out more



Stand HCS2



SafeStor shelf



Disclaimer: all dimensions and weights are approximate